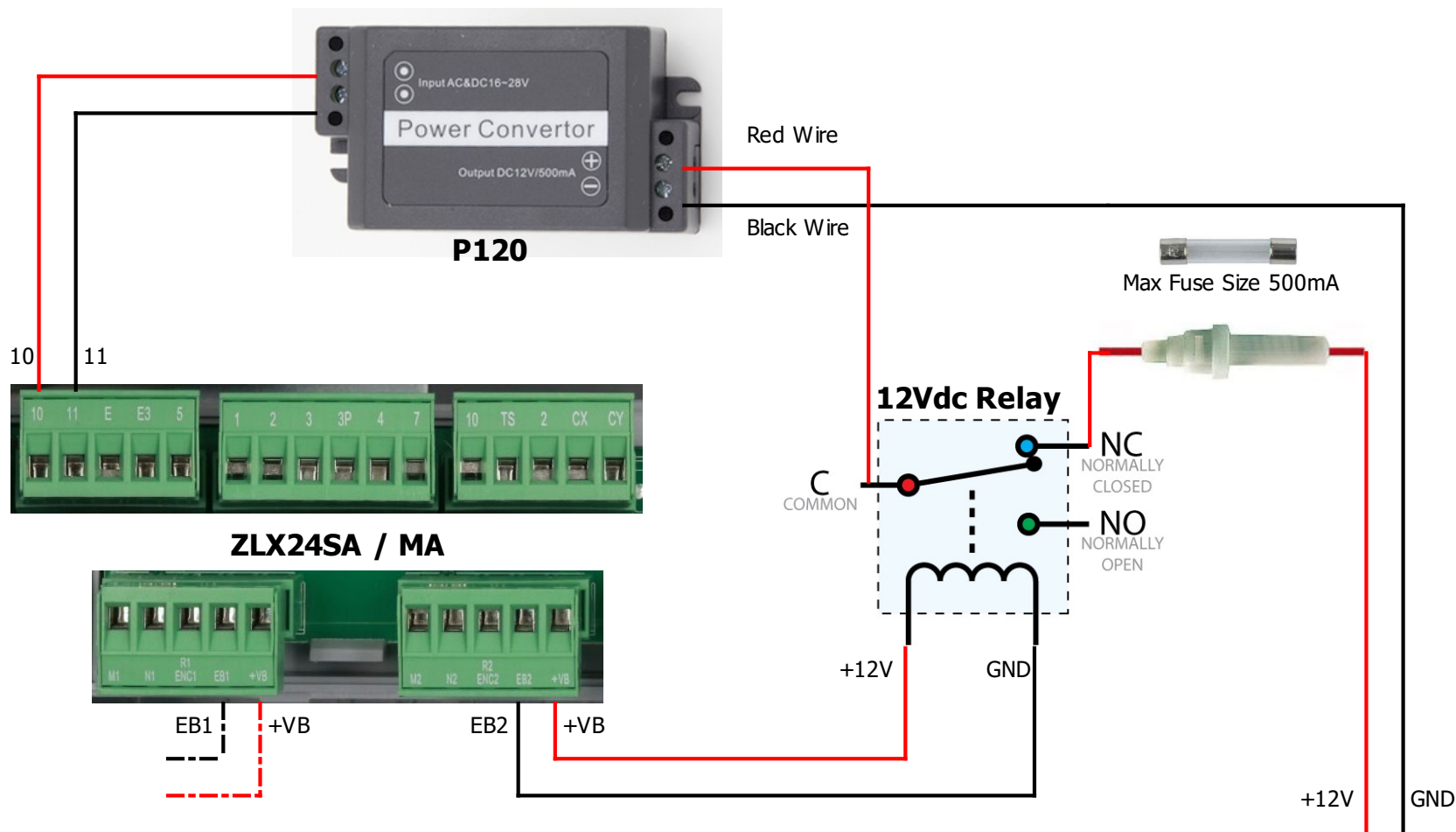


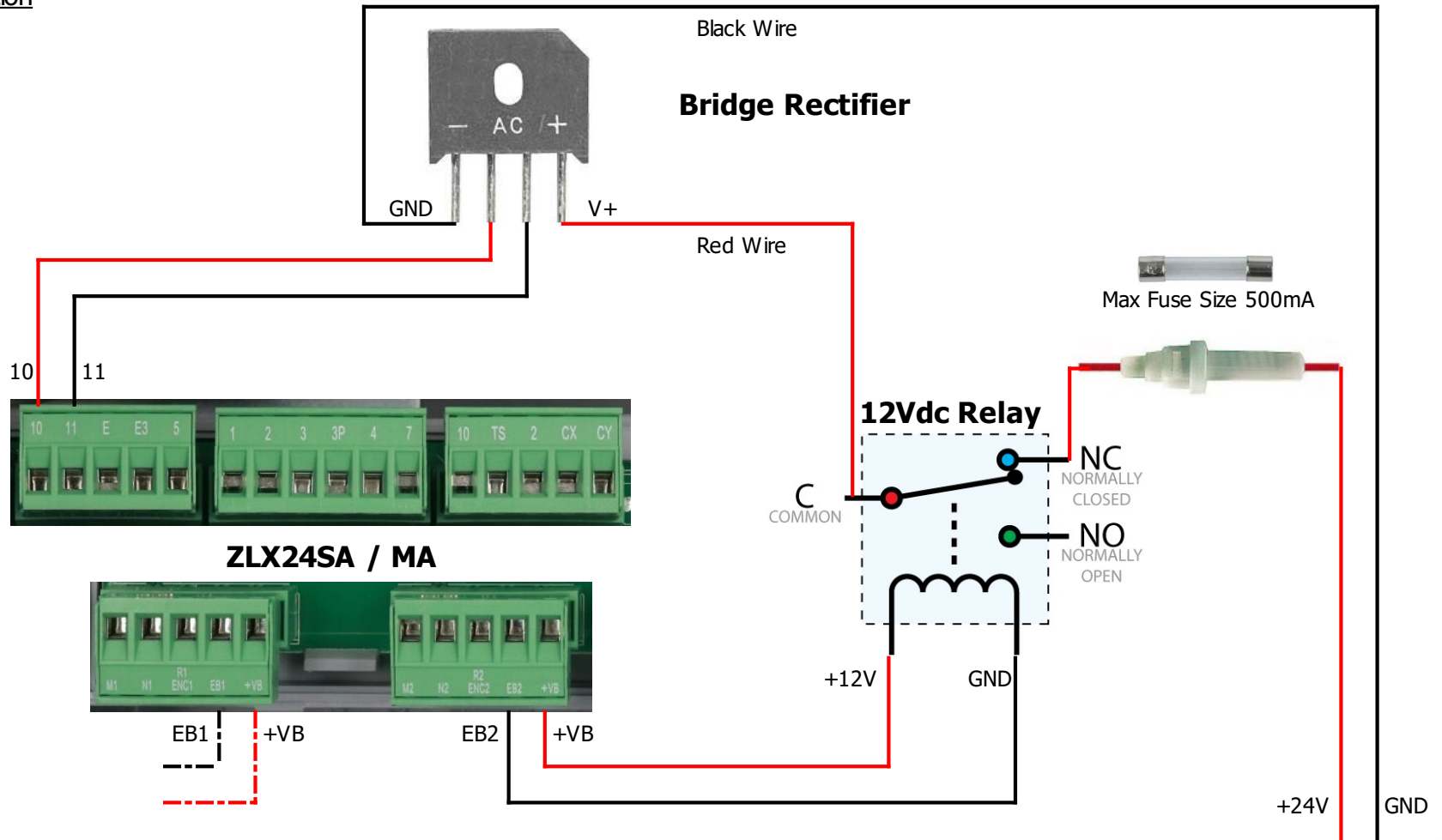
12Vdc Magnetic Lock Connection



Notes:

- Use a 24V to 12Vdc Power Converter.
- Set LOCK to "From open and closed" in menu.
- Use lock output "EB2 +VB" for a single or double gate with the mag-lock on gate number two.
- When installing a mag-lock on both gates, mirror the wiring diagram for output "EB1 +VB" for gate one.

24Vdc Magnetic Lock Connection



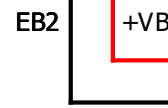
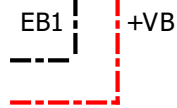
- Notes:**
- Use a 2 amp or larger bridge rectifier.
 - Set LOCK to "From open and closed" in menu.
 - Use lock output "EB2 +VB" for a single or double gate with the mag-lock on gate number two.
 - When installing a mag-lock on both gates, mirror the wiring diagram for output "EB1 +VB" for gate one.



24Vdc Magnetic Lock Connection



ZLX24SA / MA



GND +24V



- Notes:**
- Set LOCK to "Electromagnet" in menu.
 - Use lock output "EB2 +VB" for a single or double gate with the mag-lock on gate number two.
 - When installing a mag-lock on both gates, mirror the wiring diagram for output "EB1 +VB" for gate one.