

# Catalogue 2020 / 2021

ADG NZ

2020/2021 Catalogue

Rev. 2

# ADG

**AUTOMATIC DOORS AND GATES**

In the past 40 years Automatic Doors and Gates has become a leader in the New Zealand door and gate automation industry. We are distributors for CAME, SEA, HY SECURITY and COMUNELLO products. Our range is extensive with industrial, commercial and residential systems to suit any project that you may need to tackle.

The business core includes importing, distribution and installation of automation related equipment. We only source and sell top quality products so you can be assured that the product will last well into the future.

Our unique point of difference is the fact we stock parts for all of the products we have sold in our 40 year history in our large stock facility. We fully understand the importance of value for money, reliability and functionality so we are able to offer a cost effective solution every time.

Because the company has its own engineering, electrical and installation divisions it allows us to provide hands on knowledge and expertise for all the equipment that we sell. Our technical assistance service is available for our approved distributors so you can continue to provide top quality service to your customers.

All our industrial gates, gate equipment, bollards and hardware are manufactured to superior quality in our purpose-designed engineering factory. All equipment sold has the UL, CE, IMQ and ISO9001 certifications where appropriate.

With Health and Safety in mind we are able to assist in providing testing equipment and guidance on making sure your commercial and industrial projects comply with BS EN 12453:2001 standards for public safety.



**IMPORTERS**



**DISTRIBUTORS**



**CONSULTANTS**



**INSTALLERS**



**MANUFACTURERS**

## **Automatic Doors & Gates (NZ) Ltd.**

PO Box 12055  
Chartwell, Hamilton  
New Zealand 3248

**Phone:** +64 7 849 4941  
**Fax:** +64 7 849 4907  
**Email:** [info@adg.co.nz](mailto:info@adg.co.nz)

**36 – 40 Mahana Road**  
Te Rapa, Hamilton,  
New Zealand 3200

# CONTENTS

 <b>SLIDING GATE SYSTEMS</b>	<b>Residential</b> ..... 8 <b>Commercial</b> ..... 18	<b>Intensive</b> ..... 12 <b>Industrial</b> ..... 23
 <b>SWING GATE SYSTEMS</b>	<b>Residential</b> ..... 28 <b>Commercial</b> ..... 37	<b>Intensive</b> ..... 31 <b>Industrial</b> ..... 40
 <b>ACCESSORIES</b>	<b>Photocells</b> ..... 42 <b>Keypads</b> ..... 56 <b>Key Switches</b> ..... 61 <b>Locks</b> ..... 65 <b>Drive Rack</b> ..... 71	<b>Remotes</b> ..... 45 <b>3G Openers</b> ..... 60 <b>Lights</b> ..... 62 <b>Loops and Controllers</b> . 67
 <b>AUTOMATED BARRIERS</b>	<b>Barriers Arms</b> ..... 74 <b>Parking Barriers</b> ..... 82	<b>Chain Barriers</b> ..... 81
 <b>CONTROL PANELS</b>	<b>CAME</b> ..... 84	<b>Universal</b> ..... 76
 <b>ENCLOSURES</b>	<b>ABS</b> ..... 77 <b>Stainless Steel</b> ..... 79	<b>Polyester</b> ..... 78 <b>Plinths &amp; Pits</b> ..... 80
 <b>GATE HARDWARE</b>	<b>Sliding Gate Track</b> ..... 91 <b>Nylon Rollers</b> ..... 94 <b>Receiving Bracket</b> ..... 99 <b>Hinges</b> ..... 107	<b>Sliding Gate Wheels</b> ..... 92 <b>Support</b> ..... 97 <b>Cantilever</b> ..... 100 <b>Stops</b> ..... 109
 <b>BOLLARDS AND POSTS</b>	<b>Bollards</b> ..... 112 <b>Surrounds</b> ..... 114 <b>Access Control Posts</b> ..... 117	<b>Operator Covers</b> ..... 113 <b>Pillars</b> ..... 116 <b>Caps</b> ..... 118
 <b>CANTILEVER GATES</b>	<b>Uni. Column Spares</b> ..... 124	<b>Gold-Line</b> ..... 108
 <b>SOLAR</b>	<b>Monocrystalline</b> ..... 126	
 <b>PARTS AND SPARES</b>	<b>CAME</b> ..... 127 <b>ULTRA</b> ..... 130	<b>SEA</b> ..... 128 <b>Motostar</b> ..... 131
 <b>NOTES</b>	<b>Notes</b> ..... 132	

# Remote Controls

## 315,00 MHz

## 433



### 312EE

Two button fixed code remote control – 315,00MHz

### 432EE

Two button fixed code remote control – 433,92MHz



### TM314M

Four button fixed code management remote control – 315,00MHz

### 434EE

Four button fixed code remote control – 433,92MHz



### AD-MULTI

Four button remote duplicator which can copy most of the rolling code and fixed code remote controls from 300,00 MHz to 868,00 MHz.

### A43

Four button fixed code remote control – 433,92MHz

## Receivers



### AF315

One channel plug in receiver – 315,00MHz



### RX-MULTI

Two channel external receiver - 315,00MHz

## Antenna



### TA315N

External tuned antenna - 315,00MHz

**.92MHz**

**868.35MHz**



**TOPD4RBS**

Four button rolling code remote control  
433.92MHz and 868.35MHz



**TOPD4RXM**

Pack of 6 Four button rolling code remote controls  
433.92MHz and 868.35MHz



**Receivers**

**Antenna**



**AF43S**

One channel plug in receiver – 433,92MHz



**RE432**

Two channel external receiver – 433,92MHz



**TA433N**

External tuned antenna - 433,92MHz

# Jolly 3 Programmer for c

## Same connections and programming for com

On board LCD display allowing to set up and viewing of functions.  
The same programming is used for all digital control units for ease of use.

### CCRB4 Remote control



### Slide DG 230V AC

Control unit for one 230V AC  
sliding motor.



### Gate 1 DG

Control unit for one 230V A  
motor with or without limit s



CODE	NAME	DESCRIPTION
JOLLY3	Jolly 3 Programmer	Programmer for control of digital SEA units.

# Control of SEA digital boards

complete range.



## User 2 DG 24V

Control unit for two 24V swing gate motors with or without limit switches.



## User 1 DG 24V

Control unit for one 24V motor with or without limit switch.



## Gate 2 DG

Control unit for two 230V AC Swing motor with or without limit switches.



C  
switch.

# Residential Technical Specifications



Model	Mercury 400E	Linestar	Mercury 400 24V Fast
Supply Voltage	230VAC 50/60Hz	230VAC 50/60Hz	230VAC 50/60Hz
Motor Voltage	230V	24V	24V
Motor Power	320W	170W	120W
Opening Speed	150 mm/sec	170 mm/sec	320 mm/sec
Duty Cycle	25%	50%	40%
Warranty	2 Years	2 Years	2 Years
Operating T°	-20°C /+55°C	-20°C /+55°C	-20°C /+55°C
Max Gate Weight	400 Kg	300 Kg	400 Kg
Max Gate Length	4m	5m	5m
IP Rating	IP55	IP54	IP55
Capacitor	8µf	-	-
Limit Switch	Mechanical	Adjustable CAM	Mechanical



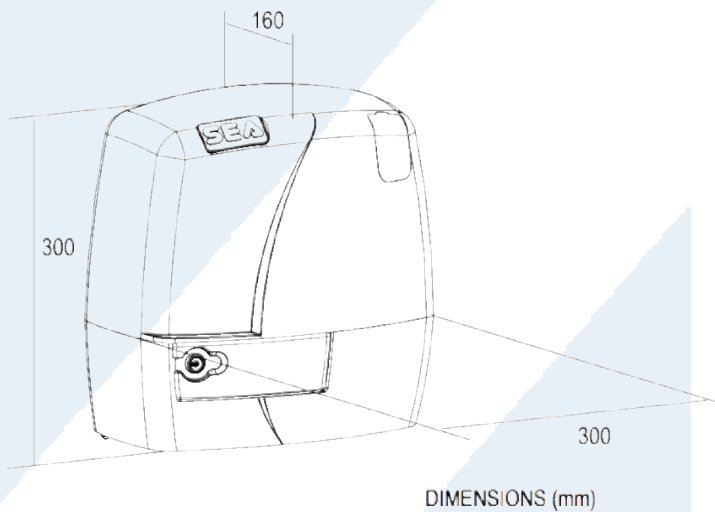
# Mercury 400E



## BEST PLUG & PLAY OPTION

- Simple installation using automatic program function.
  - Die-cast aluminium body with locking exterior cover.
  - Electronic anti-crushing clutch.
  - Mechanical sealed limit switch.
  - Adjustable slowdown for opening and closing.
- \*Can be wired with 3 pin plug 230v if required.

Entry level 230 volt gate operator for simple and easy installation. Complete with a robust 320 Watt motor and sealed limit switch. For gates up to 400kg.



TECHNICAL SPECIFICATIONS	
Supply Voltage	230V AC 50/60 Hz
Motor Power Supply	230V
Motor Power	320 Watt
Operating Speed	150 mm/sec
Duty Cycle	25%
Max Gate Weight	400 kg
Operating Temp	-20°C / +55°C
IP Rating	IP55

CODE	NAME	DESCRIPTION
MER400EKC	Mercury 400E Kit Complete	1 – Mercury 400E Operator, 1 – RFFIX receiver, 2 – LBR4F Remotes, 4m – LT-RACK.
MER400EK	Mercury 400E Kit	1 – Mercury 400E Operator, 1 – RFFIX receiver, 2 – LBR4F Remotes.
MER400E	Mercury 400E Operator	1 – Mercury 400E Operator.

### Accessories

RFUNI



Rolling code RF Receiver – 433,92MHz

CCRB4



Carbon 4 button rolling code remote control

ANT433C



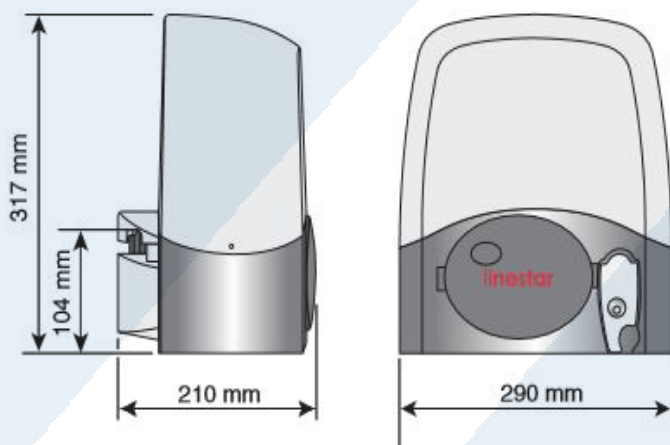
Antenna and 4 metres coax cable - 433,92MHz

## Linestar



- Self-learning function for the remote and receiver.
- Perfect for tight situations with its internal limit CAM design.
- Horizontally positioned control board at top of operator for easy cable entry and programming.
- Coloured terminals for simple and easy identification.
- Light fitted into limit cover to identify mains power (Red) or battery back-up power (Green).

The perfect solution for DIY installations or home handyman. It has been specially designed for sliding gates where there is limited space, with its internally mounted CAM design it has no need for the conventional limit brackets requiring a longer rack length.



### TECHNICAL SPECIFICATIONS

Supply Voltage	230V AC 50/60 Hz
Motor Power Supply	24V
Motor Power	170 Watt
Operating Speed	170 mm/sec
Duty Cycle	50%
Max Gate Weight	300 kg
Operating Temp	-20°C / +55°C
IP Rating	IP54

CODE	NAME	DESCRIPTION
MS301	Linestar Kit Complete	1 – Linestar Operator, 1 – MT6201 receiver, 2 – CLIK4M Remotes, 1 – CS36 Photocells, 4m – LT-RACK.
MS300	Linestar Kit	1 – Linestar Operator, 1 – MT6201 receiver, 2 – CLIK4M Remotes, 1 – CS36 Photocells.
MS302	Linestar Operator	1 – Linestar Operator.

### Accessories

MT6201



Motostar RF Receiver – 433,92MHz

CLIK4M



Motostar 4 button remote control – 433,92MHz

CS36



Motostar photocell set

MTR-BATT



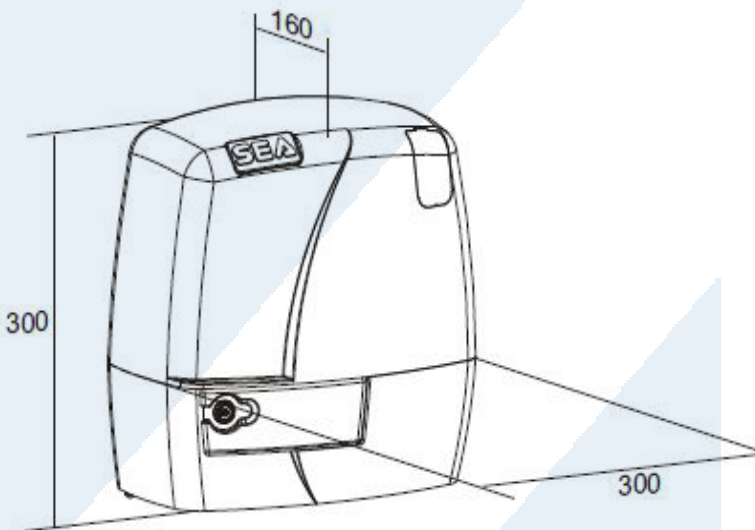
Battery back-up kit

# Mercury 400 24V FAST



- Fast moving including adjustable slowdowns in opening and closing.
- Obstacle detection encoder for maximum safety.
- Die-cast aluminium body with locking exterior cover.
- Electronic anti-crushing clutch.
- Mechanical sealed limit switch.
- Battery back-up capability.

Fast moving with ability to control slowdowns in both open and close cycle for smooth and precise operation. Painted aluminium cast gearbox for durability in the harshest of environments.



TECHNICAL SPECIFICATIONS	
Supply Voltage	230V AC 50/60 Hz
Motor Power Supply	24V
Motor Power	170 Watt
Operating Speed	320 mm/sec
Duty Cycle	40%
Max Gate Weight	400 kg
Operating Temp	-20°C / +55°C
IP Rating	IP55



Locking cover under manual release lever



Special cathaphoresis treatment on gear case

CODE	NAME	DESCRIPTION
MER400-24KC	Mercury400 24V Fast Kit Complete	1 – Mercury 400 24V Fast Operator, 1 – RFUNI receiver, 2 – CCRB4 Remotes, 4m – CGZP rack.
MER400-24K	Mercury 400 24V Fast Kit	1 – Mercury 400 24V Fast Operator, 1 – RFUNI receiver, 2 – CCRB4 Remotes.
MER400FAST	Mercury 400 24V Fast Operator	1 – Mercury 400 24V Fast Operator.

## Accessories

RFUNI



Rolling code RF Receiver – 433,92MHz

CCRB4



Carbon 4 button rolling code remote control – 433,92MHz

ESUN



Battery back-up regulator board

ANT433C



Antenna and 4 metres coax cable- 433,92MHz

SPLIT



Low voltage split power supply – 24V / 100VA (see page 71)

# Intensive Technical Specifications

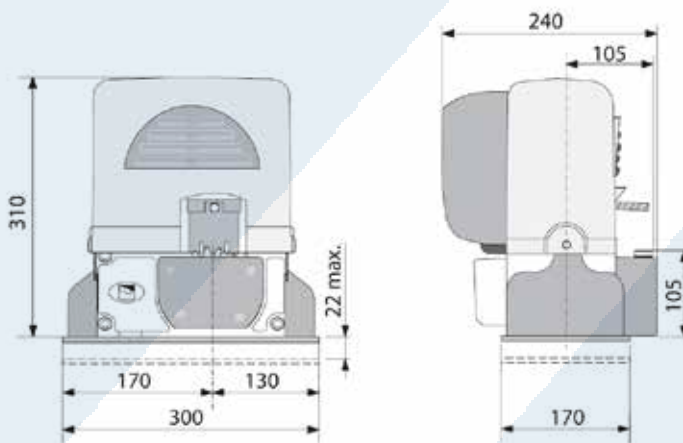


Model	BX-246	Saturn 500 Super-Fast	Saturn 1200 Fast	BXV600 Rapid	BXV1000 Rapid
<b>Supply Voltage</b>	230VAC 50/60Hz	230VAC 50/60Hz	230VAC 50/60Hz	230V AC 50/60Hz	230V AC 50/60Hz
<b>Motor Voltage</b>	24V	24V	24V	24V	24V
<b>Motor Power</b>	400W	100W	100W	240W	360W
<b>Opening Speed</b>	200 mm/sec	450 mm/sec	350 mm/sec	330mm/sec	330mm/sec
<b>Duty Cycle</b>	30%	60%	60%	Heavy Duty	Heavy Duty
<b>Warranty</b>	2 Years	3 Years	3 Years	2 Years	2 Years
<b>Operating T°</b>	-20°C /+55°C	-20°C /+55°C	-20°C /+55°C	-20°C /+55°C	-20°C /+55°C
<b>Max Gate Weight</b>	600 Kg	500 Kg	1200 Kg	600 Kg	1000 Kg
<b>Max Gate Length</b>	18m	10m	10m	18m	20m
<b>IP Rating</b>	IP54	IP55	IP55	IP44	IP44
<b>Capacitor</b>	-	-	-	-	-
<b>Limit Switch</b>	Mechanical	Mechanical	Mechanical	Mechanical	Mechanical



- Adjustable operational speed.
- Low voltage motor for intensive applications.
- Suitable for large gates up to 18 metres in length.
- Obstacle amp sensing detection.
- Battery back-up capability. Board and batteries housed underneath cover.

Simple set up using trim pots and dip switches. When the highest degree of comfort, performance and safety are required.



TECHNICAL SPECIFICATIONS	
Supply Voltage	230V AC 50/60 Hz
Motor Power Supply	24V
Motor Power	400 Watt
Operating Speed	200 mm/sec
Duty Cycle	30%
Max Gate Weight	600 kg
Operating Temp	-20°C / +55°C
IP Rating	IP54

CODE	NAME	DESCRIPTION
U2113KC	BX246 Kit Complete	1 - BX246 Operator, 1 - AF43S Receiver, 2 - 432EE Remotes, 1 - TA433N Antenna, 4m - RG58 Coax Cable, 4m - CGZP Rack.
U2113K	BX246 Kit	1 - BX246 Operator, 1 - AF43S Receiver, 2 - 432EE Remotes, 1 - TA433N Antenna, 4m - RG58 Coax Cable.
BX246	BX246 Operator	1 - BX246 Operator

### Accessories

LBD2



BX246 Battery backup card

B13AH



12 Volt / 1.3Ah gel cell rechargeable battery (two required for LBD2)

DELTA-E



Surface mounted photocell

DELTA-I



Internal mounted photocell

# Saturn 500 Super-Fast 24V

## FAST & SMOOTH OPERATION



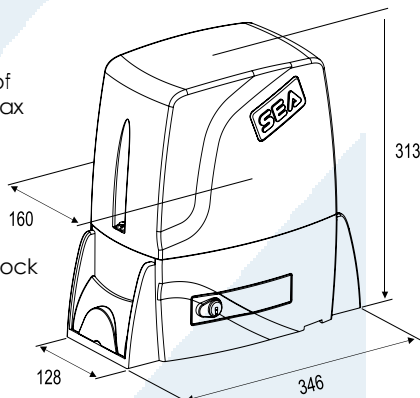
- Fast moving of up to 450 mm/sec including adjustable slowdowns in opening and closing.
- High quality sealed mechanical limit switch.
- Obstacle detection encoder for maximum safety.
- Oil filled gearbox for maximum lubrication.
- High quality painting of the aluminium case for durability in the harshest environments.
- High quality lever operation manual release.
- Battery back-up capability. Board and batteries housed underneath cover.

High quality sliding gate operator for gates up to 500kg, complete with oil filled gearbox. Fast moving of speeds of up to 450 mm/sec with ability to control slowdowns in both open and close cycle for smooth and precise operation. Painted aluminium cast gearbox for durability in the harshest of environments.



Oil lubrication of the gears for max duration

Release system through metal lock



TECHNICAL SPECIFICATIONS	
Supply Voltage	230V AC 50/60 Hz
Motor Power Supply	24V
Motor Power	100 Watt
Operating Speed	450 mm/sec
Duty Cycle	60%
Max Gate Weight	500 kg
Operating Temp	-20°C / +55°C
IP Rating	IP55

CODE	NAME	DESCRIPTION
SAT500SF	Saturn 500 24V Super-Fast	1 – Saturn 500 24V Super-Fast Operator.

### Accessories

ESUN  
  
 Battery back-up regulator board

B13AH  
  
 12 Volt / 1.3Ah gel cell rechargeable battery (two required for ESUN)

SATBOXFP  
  
 Adjustable height foundation plate

SPLIT  
  
 Low voltage split power supply – 24V / 100VA (see page 71)

# Saturn 1200 24V Fast



- For large gates up to 1200 kg.
- Fast moving of up to 350 mm/sec including adjustable slowdowns in opening and closing.
- High quality sealed mechanical limit switch.
- Obstacle detection encoder for maximum safety.
- Oil filled gearbox for maximum lubrication.
- High quality painting of the aluminium case for durability in the harshest environment.
- High quality lever operation manual release.
- Battery back-up capability. Board and batteries housed underneath cover.

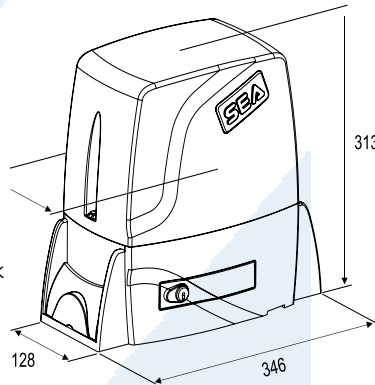
High quality sliding gate operator for gates up to 1200kg, complete with oil filled gearbox. Fast moving of speeds of up to 350 mm/sec with ability to control slowdowns in both open and close cycle for smooth and precise operation. Painted aluminium cast gearbox for durability in the harshest of environments.



Oil lubrication of the gears for max duration



Release system through metal lock



TECHNICAL SPECIFICATIONS	
Supply Voltage	230V AC 50/60 Hz
Motor Power Supply	24V
Motor Power	100 Watt
Operating Speed	350 mm/sec
Duty Cycle	60%
Max Gate Weight	1200 kg
Operating Temp	-20°C / +55°C
IP Rating	IP55

CODE	NAME	DESCRIPTION
SAT1200F	Saturn 1200 24V Fast	1 – Saturn 1200 24V Fast Operator.

## Accessories

ESUN



Battery back-up regulator board

B13AH



12 Volt / 1.3Ah gel cell rechargeable battery (two required for ESUN)

SATBOXFP



Adjustable height foundation plate

SPLIT

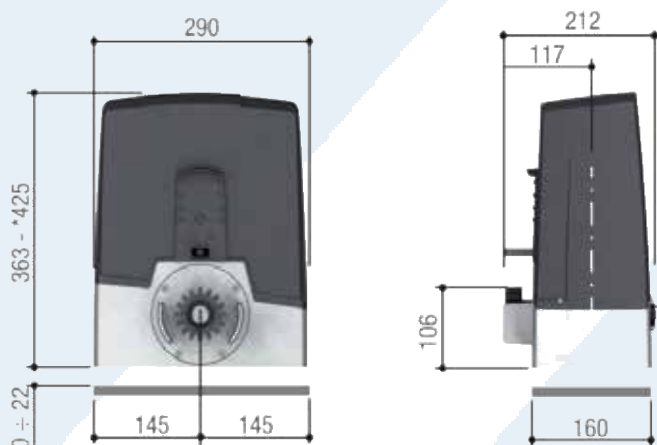


Low voltage split power supply – 24V / 100VA (see page 71)



- Fast moving operation of up to 20m/min.
- Control board, with separate terminals and display.
- Save up to 250 users to control board.
- Self-diagnosis of safety devices.
- Suitable of gates up to 20m in length.

State of the art operator for heavy-duty service. The rapid market will ensure the gate opens and closes fast and efficiently to minimise waiting time at gate. Complete with RSE and RIO connectivity.



TECHNICAL SPECIFICATIONS	
Supply Voltage	230V AC 50/60 Hz
Motor Power Supply	24V
Motor Power	240 Watt
Operating Speed	330mm/sec
Duty Cycle	Heavy Duty Service
Max Gate Weight	600kg
Operating Temp	-20°C / +55°C
IP Rating	IP44

CODE	NAME	DESCRIPTION
MS-0190	BXV600 Rapid Operator	1-BXV600 Rapid Operator

### Accessories

R7000



Connection card for SEL transponder

B13AH



12 Volt / 1.3Ah gel cell rechargeable battery (two required for ESUN)

RLB



BXV battery back up

DELTA-E



Surface mounted photocell

DELTA-I



Internal mounted photocell

RSE



Connection card for bi-sliding / master & slave set up

R8000



Connection card for SEL keypads

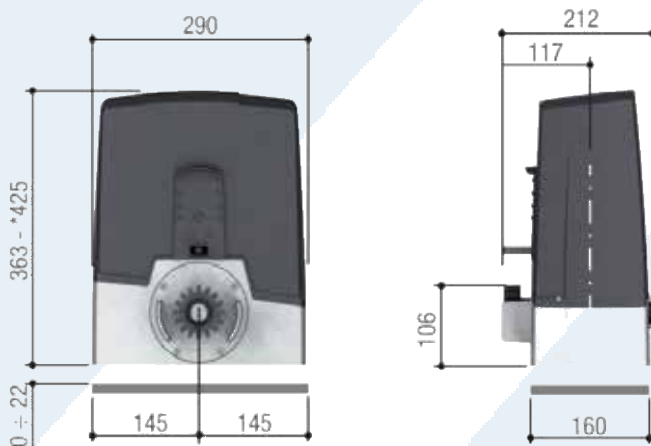


## BXV1000 Rapid



- Fast moving operation of up to 20m/min.
- Control board, with separate terminals and display.
- Save up to 250 users to control board.
- Self-diagnosis of safety devices.
- Suitable of gates up to 20m in length.

State of the art operator for heavy-duty service. The rapid market will ensure the gate opens and closes fast and efficiently to minimise waiting time at gate. Complete with RSE and RIO connectivity.



TECHNICAL SPECIFICATIONS	
Supply Voltage	230V AC 50/60 Hz
Motor Power Supply	24V
Motor Power	360 Watt
Operating Speed	330mm/sec
Duty Cycle	Heavy Duty Service
Max Gate Weight	1000kg
Operating Temp	-20°C / +55°C
IP Rating	IP44

CODE	NAME	DESCRIPTION
MS-0250	BXV1000 Rapid Operator	1-BXV1000 Rapid Operator

### Accessories

R7000



Connection card for SEL transponder

B13AH



12 Volt / 1.3Ah gel cell rechargeable battery (two required for ESUN)

RLB



BXV battery back up

DELTA-E



Surface mounted photocell

DELTA-I



Internal mounted photocell

RSE



Connection card for bi-sliding / master & slave set up

R8000



Connection card for SEL keypads

# Commercial Technical Specifications

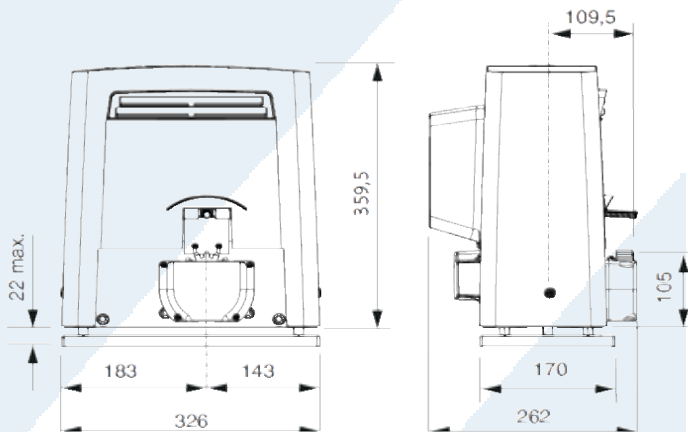
				
Model	BKS18ALS	BK2200TA	Boxer 2000 FM	Lepus Box 1000 Fast
<b>Supply Voltage</b>	230VAC 50/60Hz	230VAC 50/60Hz	230VAC 50/60Hz	230VAC 50/60Hz
<b>Motor Voltage</b>	230 - 400V	230 - 400V	230V	230V
<b>Motor Power</b>	600W	600W	750W	450W
<b>Opening Speed</b>	175mm/sec	175 mm/sec	180 mm/sec	450 mm/sec
<b>Duty Cycle</b>	50%	50%	55%	75%
<b>Warranty</b>	2 Years	2 Years	3 Years	5 Years
<b>Operating T°</b>	-20°C /+55°C	-10°C /+55°C	-20°C /+55°C	-10°C /+55°C
<b>Max Gate Weight</b>	1800 Kg	2200 Kg	2000 Kg	1000 Kg
<b>Max Gate Length</b>	20m	23m	12m	12m
<b>IP Rating</b>	IP44	IP54	IP55	IP55
<b>Capacitor</b>	31.5µf	-	12.5 µf	-
<b>Limit Switch</b>	Mechanical	Mechanical	Mechanical	Mechanical
<b>Rack Type</b>	Mod.4	Mod.4	Mod.4	Mod.4



### NEW ZEALAND'S MOST TRUSTED COMMERCIAL OPERATOR

- New aesthetic look in the trusted CAME brand.
- Control board, with separate terminals and display.
- Save up to 250 users to the control board.
- Self-diagnosis of safety devices.
- Suitable of gates up to 20m in length and 1800kg.

State of the art operator for commercial applications. Ideal solution for any commercial gate up to 20m in length where reliability is key.



TECHNICAL SPECIFICATIONS	
Supply Voltage	230V AC 50/60 Hz
Motor Power Supply	230V
Motor Power	480 Watt
Operating Speed	175mm/sec
Duty Cycle	50%
Max Gate Weight	1800kg
Operating Temp	-20°C / +55°C
IP Rating	IP44

CODE	NAME	DESCRIPTION
BKS18ALS	BKS18ALS Operator	1-BKS18ALS Commercial operator

### Accessories

BK25PIN



25 Tooth pinion upgrade for increased speed (240 mm/sec)

BSF

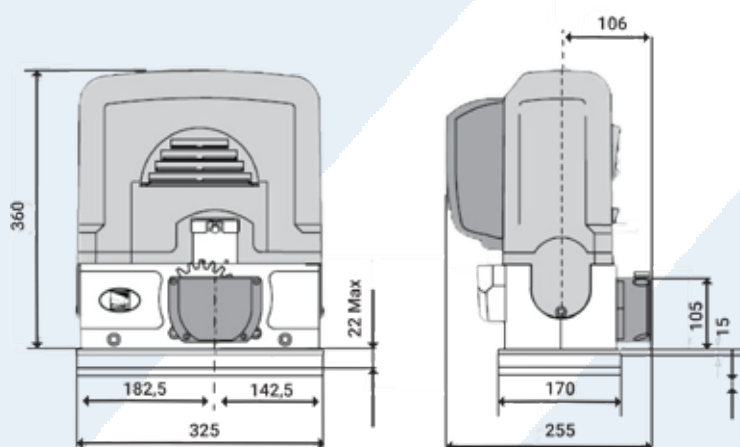


Hydraulic braking system for gate on slope / incline



- Large 600 Watt three-phase motor.
- For large commercial gates up to 2200 kg.
- Self-diagnosis of safety devices.
- Standardised and simple connection terminals.

Ideal solution for large commercial gates requiring extra force from the three-phase motor. For gates to 23 metres long and 2200 kg.



TECHNICAL SPECIFICATIONS	
Supply Voltage	230V-400V AC 50/60 Hz
Motor Power Supply	230-400V
Motor Power	600 Watt
Operating Speed	175 mm/sec
Duty Cycle	50%
Max Gate Weight	2200 kg
Operating Temp	-20°C / +55°C
IP Rating	IP54

CODE	NAME	DESCRIPTION
BK2200TA	CAME BK2200TA Operator	1 – BK2200TA Commercial three-phase Operator.

**NOTE:** Gate Operator requires ZT6 Control Panel to operate.

### Accessories



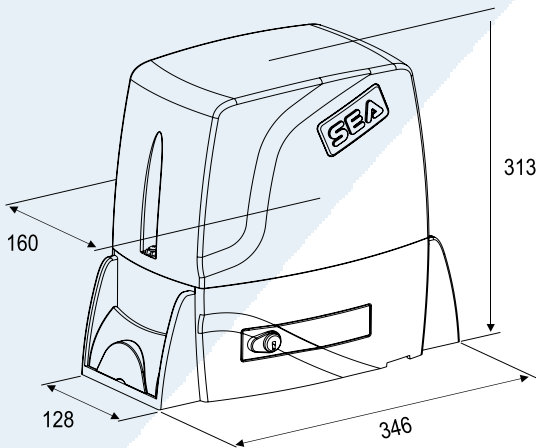
# Boxer 2000 FM



## OIL BATH MOTOR & GEARBOX

- Powerful, reliable and top quality.
- Electric motor and gearbox in full oil bath lubrication for long term durability.
- High quality sealed mechanical limit switch.
- Mechanical twin-disc in oil bath.
- Encoder to meet all EN standards.

High quality operator with oil bath motor and gearbox. The perfect choice for intensive commercial applications requiring long term durability and reliability.



TECHNICAL SPECIFICATIONS	
Supply Voltage	230VAC 50/60 Hz
Motor Power Supply	230V
Motor Power	750 Watt
Operating Speed	180 mm/sec
Duty Cycle	55%
Max Gate Weight	2000 kg
Operating Temp	-20°C / +55°C
IP Rating	IP55



Motor and gears in oil bath lubrication



Release system through metal lever lock



Mechanical twin-disc bath clutch

CODE	NAME	DESCRIPTION
BOX2000	Boxer 2000 FM Operator	1 – Boxer 2000 FM Commercial Operator.

### Accessories

SATBOXFP



Adjustable height foundation plate

BSF



Hydraulic braking system for gate on slope / incline

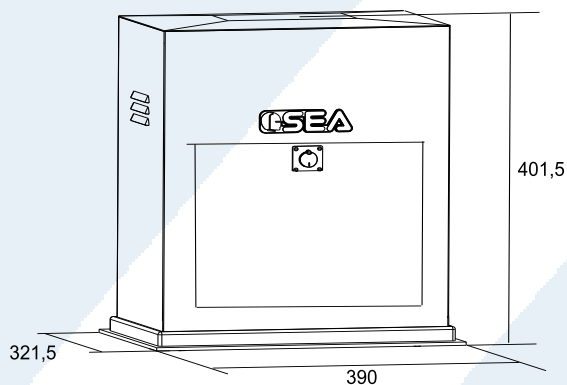
# Lepus Box 1000 Fast

## FAST MOVING AT 450MM/SEC



- Inverter for speeds up to 450 mm/sec with control of open and close speeds.
- Robust and cataphoresis treated polyester painted exterior cover for durability in the harshest environments.
- Manual release hidden behind lockable hatch for maximum security.
- Electric motor and gearbox in full oil bath lubrication for long term durability.
- High quality IP67 Industrial roller limit switch.
- Mechanical twin-disc clutch in oil bath.
- Encoder to meet all EN standards.

High quality inverter driven operator with oil bath motor and gearbox. Heavy duty treated cover for maximum security. The perfect choice for large gates requiring fast opening.



TECHNICAL SPECIFICATIONS	
Supply Voltage	230VAC 50/60 Hz
Motor Power Supply	230V
Motor Power	450 Watt
Operating Speed	450 mm/sec
Duty Cycle	75%
Max Gate Weight	1000 kg
Operating Temp	-20°C / +55°C
IP Rating	IP55



Internal photo



Mechanical IP67 roller limit switch



Mechanical twin-disc clutch oil bath

CODE	NAME	DESCRIPTION
LEPBOX1000	Lepus Box 1000 Fast Operator	1 – Lepus Box 1000 Fast Commercial Operator (450 mm/sec)

# Industrial Technical Specifications

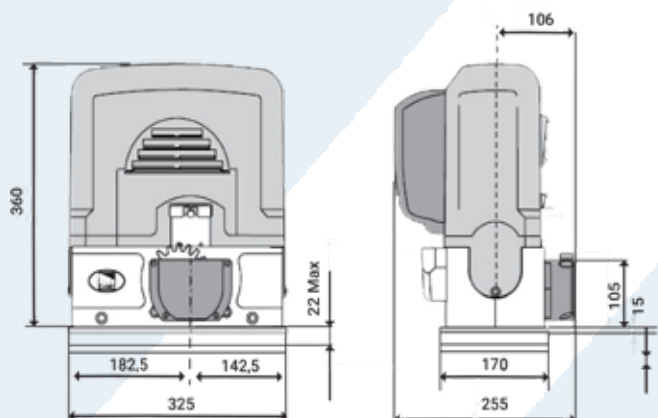
				
Model	BK2200 ZIP	BY3500T	BIG 2000 FAST	BIG 6000 FM
<b>Supply Voltage</b>	230 - 400V AC 50/60Hz	230 - 400V AC 50/60Hz	230 - 400V AC 50/60Hz	230 - 400V AC 50/60Hz
<b>Motor Voltage</b>	230 - 400V	230 - 400V	230V	230 - 400V AC 50/60Hz
<b>Motor Power</b>	600W	750W	750W	3000W
<b>Opening Speed</b>	800 mm/sec	150 mm/sec	750mm/sec	160 mm/sec
<b>Duty Cycle</b>	50%	50%	100%	60%
<b>Warranty</b>	2 Years	2 Years	5 Years	5 Years
<b>Operating T°</b>	-10°C /+55°C	-10°C /+55°C	-20°C /+55°C	-20°C /+55°C
<b>Max Gate Weight</b>	1000 Kg	3500 Kg	2000 Kg	6000 Kg
<b>Max Gate Length</b>	15m	23m	20m	18m
<b>IP Rating</b>	IP54	IP54	IP55	IP55
<b>Limit Switch</b>	Proximity	Mechanical	4 Cam Limit	Mechanical
<b>Rack Type</b>	Mod.4	Mod.6	Mod.4	Mod.6

### FAST MOVING AT 800MM/SEC



- Inverter 2.2 kw for speeds up to 800 mm/sec with control of open and close speeds.
- Large painted polyester enclosure with inverter, control board and connections.
- Aluminium plinth for covering of cables / conduits and keeping electronics away from moisture at ground level.
- Manual release behind locked door with cut out limit switch.
- Internal gears with hybrid grease additive for reduced wear and long term durability.
- High quality proximity switch limits with brackets.
- Fault isolation switch panel.

Specially designed for New Zealand installations with large inverter for speeds up to 800 mm/sec. All electronics enclosed in a large 700mm x 500mm enclosure with provisions for additional accessories.



TECHNICAL SPECIFICATIONS	
Supply Voltage	230V – 400V AC 50/60 Hz
Motor Power Supply	230 – 400V
Motor Power	600 Watt
Operating Speed	800 mm/sec
Duty Cycle	50%
Max Gate Weight	2200 kg
Operating Temp	-20°C / +55°C
IP Rating	IP54

CODE	NAME	DESCRIPTION
BK2200ZIP	BK2200 ZIP System	1 – BK2200TA Zip Operator, control enclosure including 2.2Kw inverter, plinth, proximity switches, proximity bars and standards and mounting bolts.
BK2200ZIP-L	BK2200 ZIP System with loop	1 – BK2200TA Zip Operator, control enclosure including 2.2Kw inverter and safety loop controller, plinth, proximity switches, proximity bars and mounting bolts.
BK2200ZIP-LS	BK2200 ZIP System with loops	1 – BK2200TA Zip Operator, control enclosure including 2.2Kw inverter, safety loop controller, free exit controller, plinth, proximity switches, proximity bars and mounting bolts.

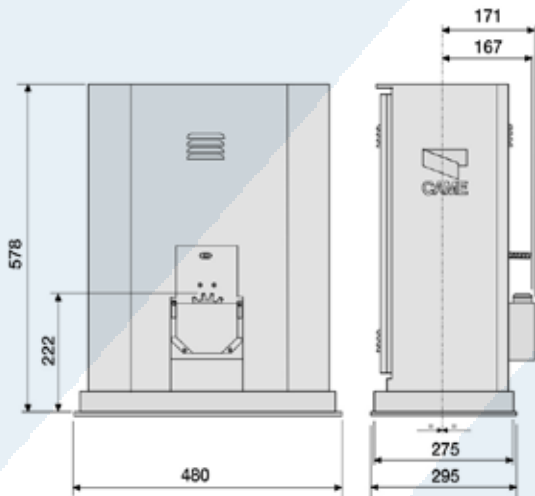




### FOR VERY LARGE GATES UP TO 350KG

- For Large gates up to 3500 kg in weight and 23 metres in length.
- Large heavy duty painted steel cover for industrial applications.
- Manual release behind locked door by use of special key.
- Internal gears in full oil bath for reduced wear and long term durability.
- Enclosed control panel with standardised and simple connection terminals.

Industrial operator for substantial gates weighing up to 3500 kg. Fitted with robust steel cover for maximum protection.



TECHNICAL SPECIFICATIONS	
Supply Voltage	230V – 400V AC 50/60 Hz
Motor Power Supply	230 – 400V
Motor Power	750 Watt
Operating Speed	175 mm/sec
Duty Cycle	50%
Max Gate Weight	3500 kg
Operating Temp	-20°C / +55°C
IP Rating	IP54

CODE	NAME	DESCRIPTION
BY3500T	BY3500T Operator	1 – BY3500T Industrial three-phase Operator.

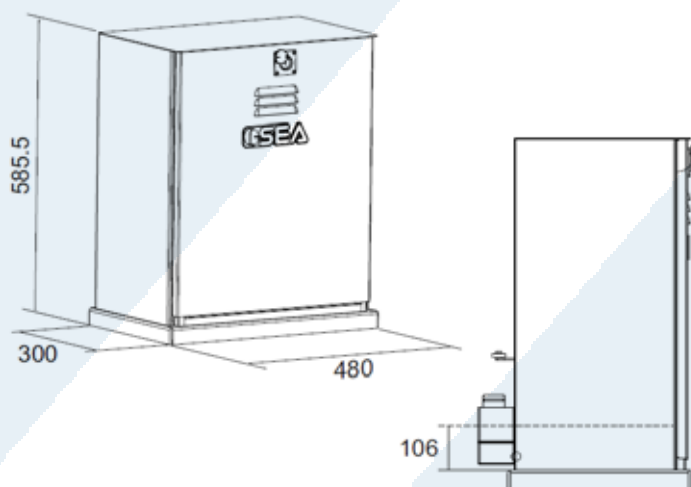
# BIG 2000 FAST

## NEW ZEALAND'S MOST POPULAR INDUSTRIAL OPERATOR



- Inverter for speeds up to 600 mm/sec with control of open and close speeds.
- Robust stainless steel and painted exterior cover for durability in the harshest environments.
- Manual release behind door and released by special key.
- Mechanical torque controller in oil bath.
- Heat treated internal components for high duty industrial applications.
- Internal gears in full oil bath lubrication for long term durability.
- High quality four-cam limit switch and electric brake fitted for limit position optimisation.

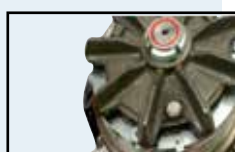
High quality inverter driven operator with oil bath gearbox. Digital control system with full management and customisable firmware to suit customer requirements. Fitted with stainless steel exterior cover for durability in the harshest environments.



TECHNICAL SPECIFICATIONS	
Supply Voltage	230VAC 50/60 Hz
Motor Power Supply	230V
Motor Power	750 Watt
Operating Speed	600mm/sec
Duty Cycle	100%
Max Gate Weight	2000 kg
Operating Temp	-20°C / +55°C
IP Rating	IP55



Release with personalised key



Electrobrake



Stainless steel cover

CODE	NAME	DESCRIPTION
BIG2000F	Big 2000 Fast Operator	1 – Big 2000 Fast Industrial Operator (600mm/sec)

**Please note:** Pinion height off ground with galavanised base plate is 210mm, without base plate it is 158mm.

# BIG 6000FM

## FOR VERY LARGE GATES UP TO 6000KG



- For large gates up to 6000kg.
- Large 3000W industrial motor.
- Manual release behind door and released by special key.
- Mechanical torque controller in oil bath.
- Heat treated internal components for high duty industrial applications.
- Internal gears in full oil bath lubrication for long term durability.

Large Industrial operator for gates up to 6000kg. Fitted with 3000W motor and complete with oil bath gearbox. Digital control system with full management and customisable firmware to suit customer requirements.



Release with personalised key

TECHNICAL SPECIFICATIONS	
Supply Voltage	230V – 400V AC 50/60 Hz
Motor Power Supply	230 - 400V
Motor Power	3000 Watt
Operating Speed	150 mm/sec
Duty Cycle	60%
Max Gate Weight	6000 kg
Operating Temp	-20°C / +55°C
IP Rating	IP55

CODE	NAME	DESCRIPTION
BIG6000	Big 6000 Operator	1 – Big 6000 Industrial Operator

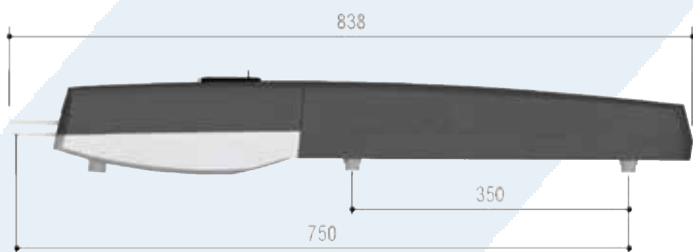
# Residential Technical Specifications

 		
Model	AXI	FTX
Protection rating (IP)	44	44
Power supply to motor (V)	24 DC	24DC
Absorption (A)	5 Max.	4 Max.
Power (W)	120	140
Maneuvering time at 90°(s)	15*	From 20 to 30
Duty/cycle %	50	-
Torque (Nm)	400 ÷ 2000	-
Operating temperature	-20 ÷ +55	-20 ÷ +55
Max. length of leaf (m)	2.5	2
Max. weight of leaf (kg)	250	200
Max. leaf opening (°)	115	-

\* Suggested minimum value with maximum travel speed and minimum slow-down speed.



- Ideal solution for connected single-home and apartment blocks.
- Release lever system protected by a trilobe key; can be remote activated via steel cable.
- Simplified connections and one, three-conductor cable.
- Fully covered and protected endless screw.
- On-board mechanical stops, for controlling gate travel.
- Silent and linear movement thanks to the conical torque reducer.
- Hard-wired and wireless self-diagnosing safety devices and compliance with current regulatory standards on impact forces.



TECHNICAL SPECIFICATIONS	
Protection rating (IP)	44
Power supply to motor (V)	24 DC
Absorption (A)	5 Max.
Power (W)	120
Maneuvering time at 90° (s)	15*
Duty/cycle (%)	50
Torque (Nm)	400 ÷ 2000
Operating temperature (°C)	-20 ÷ +50
Max. length of leaf (m)	2.5
Max. weight of leaf (kg)	250
Max. leaf opening (°)	115

\* Suggested minimum value with maximum travel speed and minimum slow-down speed.

CODE	NAME	DESCRIPTION
USWN25-010	AXI25 Kitset	2 - AXI Operators, 1 - ZL65 Control Panel, 1 - AF43S Receiver, 2 - 432EE Remote Controls, 1 - KLED24 Flashing Light, 1 - DIR10 Photocells.
SWN25	AXI25 Operator	1 - AXI25 Operator

### Accessories

ZL65



Control panel for one or two leaf swing gates, with programming display, on-board radio decoding and self-diagnosing safety devices.

RLB



Circuit board for battery back up

R700



Card for decoding and access control with transponder

R800



Control board for decoding and access-control management via keypad

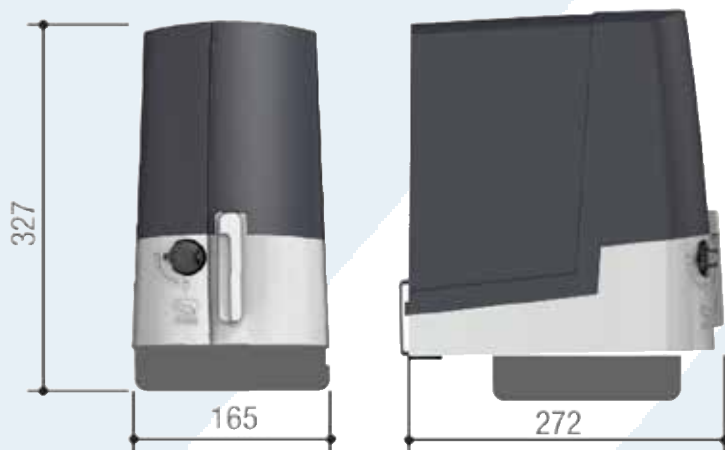
RSE



Interface card for controlling two operators



- The ideal solution when applying to small to medium gate posts in private homes and apartment buildings.
- For complying with current Standards on impact forces.
- User-friendly release lever for manually opening the gate.
- Can operate in emergency mode during power outages.
- Control board, with separate terminal board and display, for simpler installing and diagnosing. Save up to 250 different users.
- Self-diagnosing safety devices - whether wireless or not.
- On-board Rolling Code and (Twin) Key Code radio-frequency decoding.



TECHNICAL SPECIFICATIONS	
Protection rating (IP)	44
Power Supply (V-50/60Hz)	230 AC
Power supply to motor (V)	24 DC
Absorption (A)	4 Max.
Power (W)	140
Manouvering speed (m/min)	From 20 to 30
Operating Temp (°C)	-20°C / +55
Max. length of leaf (m)	2
Max. weight of leaf (kg)	200

CODE	NAME	DESCRIPTION
8K01MS-010	FTX Kitset	1 - FTX Master 2.0m Operator with built in control board (C. max 250mm), 1 - FTX Slave 2.0m Operator (C. max 250mm), 1 - AF43S Receiver, 2 - TOP-D4RBS Remote Controls, 1 - KLED24 Flashing Light, 1 - KIARO-S bracket, 1 - DIR10 Photocells.

### Accessories

RLB



Circuit board for battery back up

R700



Card for decoding and access control with transponder

R800



Control board for decoding and access-control management via keypad

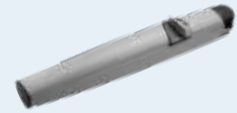
RSE



Interface card for controlling two operators



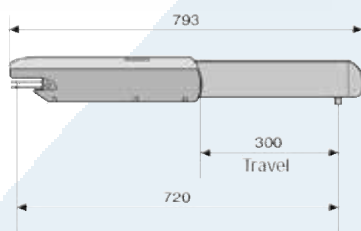
# Intensive Technical Specifications



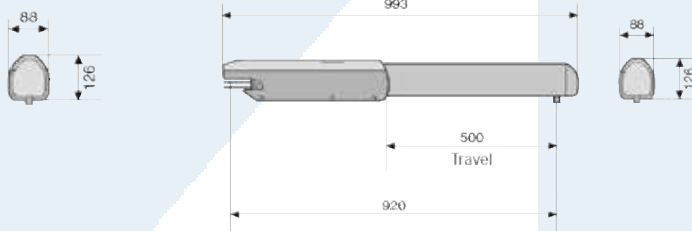
Model	AXO	FERNI	FROG	Surf 350
Type	Linear	Articulated	Underground	Linear
Supply Voltage	230VAC 50/60Hz			
Motor Voltage	24V			
Motor Power	120W	150W	180W	60W
Duty Cycle	Intensive			
Warranty	2 Years			
Operating T°	-20°C /+55°C			
Max Gate Weight	1000kg	800 Kg	800 Kg	300 Kg
Max Gate Length	5.0m	4.0m	3.5m	3.5m
Opening degrees	90°	110°	180°	90°
IP Rating	IP44	IP54	IP67	IP44



- Aluminium painted body.
- \*Battery back-up capability\*.
- Opening up to 130° if required.
- Three-wire connection.
- Quick opening with amperometric obstacle detection.



ATI 3 Dimensions



ATI 5 Dimensions

Ideal swing gate solution for residential and intensive applications



Electronic control provides safe passage.



Case made from aluminium, for sturdiness and protection from the environmental agents.



The operator manual release is hidden behind a pivoting manual release door.

### TECHNICAL SPECIFICATIONS

Supply Voltage	230V AC 50/60 Hz
Motor Power Supply	24V DC / 230V AC
Motor Power	120 Watt - 24V / 150 Watt - 230V
Duty Cycle	Intensive
Max Gate Length	3 - 5m
Max Gate Weight	400 - 1000 kg
Operating Temp	-20°C / +55°C
IP Rating	IP44
Stops Required	Yes
Max Gate Weight - 3.0m (kg)	600
Max Gate Weight - 4.0m (kg)	500
Max Gate Weight - 5.0m (kg)	400

CODE	NAME	DESCRIPTION
A3024N*	ATI 3024N Operator	1 - ATI 3024N Operator (gates up to 3 metres - ZL180 compatible)
A5024N*	ATI 5024N Operator	1 - ATI 5024N Operator (gates up to 5m - ZL180 compatible)
A3024*	ATI 3024 Operator	1 - ATI 3024 Operator (gates up to 3 metres - ZL19N compatible)
A5024*	ATI 5024 Operator	1 - ATI 5024 Operator (gates up to 5m - ZL19N compatible)
A3000	ATI 3000 Operator	1 - ATI 3000 Operator (gates up to 3m - ZA3 Compatible)
A5000	ATI 5000 Operator	1 - ATI 5000 Operator (gates up to 5m - ZA3 Compatible)

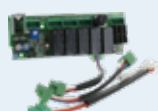
### Accessories

ZL180



Control panel To suit ATI(N) 24V

LB180



Battery back-up board to suit ZL180 panel

ZL19N



Control panel to suit ATI 24V

LB18



Battery back up control panel to suit ZL19N panel

ZA3



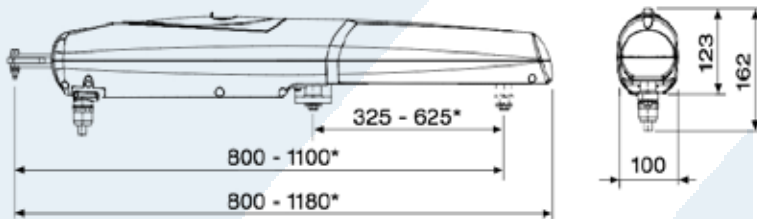
Control panel to suit ATI 230V





- Die-cast aluminium painted body.
- Top quality bearings for smooth and silent operation.
- Double-threaded worm-screw for reduced bearing.
- Adjustable mechanical stops.
- Three-wire connection.
- Battery back-up capable.

Ideal swing gate solution for intensive applications of gates up to 5 metres.



\* AX71230 - AX5024

TECHNICAL SPECIFICATIONS	
Supply Voltage	230V AC 50/60 Hz
Motor Power Supply	24V
Motor Power	120 Watt
Duty Cycle	Intensive
Max Gate Length	3 - 5m
Max Gate Weight	400 - 1000 kg
Operating Temp	-20°C / +55°C
IP Rating	IP44
Stops Required	No

CODE	NAME	DESCRIPTION
AX3024	AXO 3024 Operator	1 – AXO 3024 Operator (gates up to 3 metres)
AX5024	AXO 5024 Operator	1 – AXO 5024 Operator (gates up to 5 metres)

### Accessories

ZLJ24



ZLJ24 Digital control panel with user management

LB180



Battery back-up connection board to suit ZLJ24

B13AH



12 Volt / 1.3Ah gel cell rechargeable battery (two required for LB180)

B70AH



12 Volt / 7.0Ah gel cell rechargeable battery (two required for LB180)

119RIR156

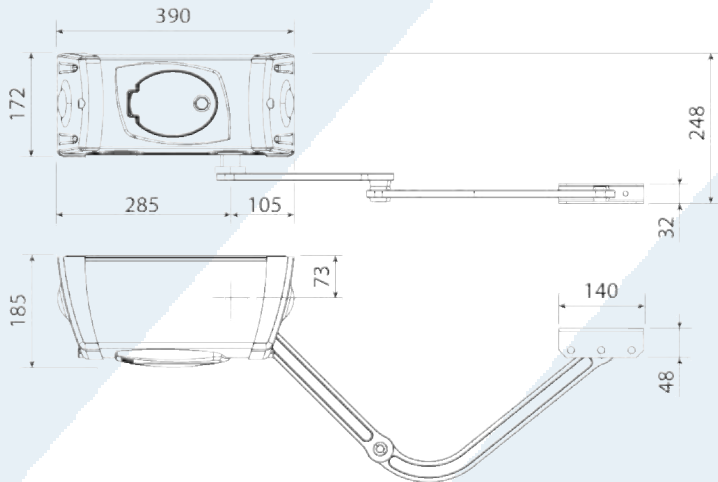


ZL style control box with vents 320L x 240W x 145D

## FERNI



- Suitable for installations where dimension between gate pivot and fixing wall is less than 380mm.
- Fast moving operation.
- Separate control board to prevent insect or vermin damage.
- Battery back-up capable.
- Multipurpose fit operator (can be used for left or right hand installations).



### TECHNICAL SPECIFICATIONS

Supply Voltage	230V AC 50/60 Hz
Motor Power Supply	24V
Motor Power	150 Watt
Duty Cycle	Intensive
Max Gate Length	2 - 4m
Max Gate Weight	400 - 800 kg
Operating Temp	-20°C / +55°C
IP Rating	IP54
Stops Required	Yes

CODE	NAME	DESCRIPTION
FE4024V	FE4024V Operator	1 - FERNI FE4024V Fast Moving Operator

### Accessories

ZLJ24



ZLJ24 Digital control panel with user management

LB180



Battery back-up connection board to suit ZLJ24

B13AH



12 Volt / 1.3Ah gel cell rechargeable battery (two required for LB180)

B70AH



12 Volt / 7.0Ah gel cell rechargeable battery (two required for LB180)

119RIR156



ZL style control box with vents 320L x 240W x 145D

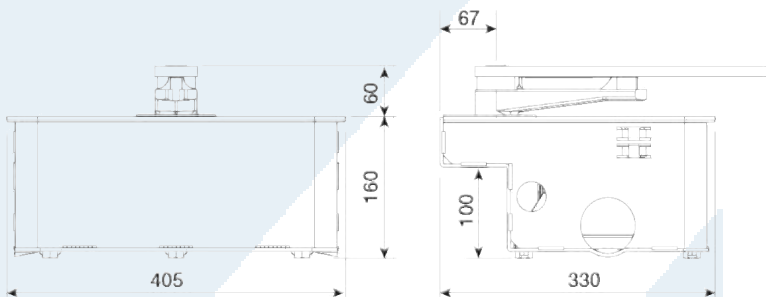
# CAME

## FROG A24E



- Underground IP67 operators for the most aesthetic finish.
- Suitable for installations where gate closes hard against fence or no room for linear operator is possible.
- Gates can open up to 180 degrees (FL180 Connection Kit).
- Separate control board to prevent insect or vermin damage.
- Battery back-up capable.

The completely hidden gate operator for gates up to 3.5 metres. Perfect solution for outwards swing.



TECHNICAL SPECIFICATIONS	
Supply Voltage	230V AC 50/60 Hz
Motor Power Supply	24V
Motor Power	180 Watt
Duty Cycle	Intensive
Max Gate Length	2 – 3.5m
Max Gate Weight	400 - 800 kg
Operating Temp	-20°C / +55°C
IP Rating	IP67
Stops Required	Yes

**Note:** FROG - A24 and FROG - CFI cases are still available for purchase.

CODE	NAME	DESCRIPTION
FROG-A4E	FROG 24V	FROG 24V underground operator with encoder.

### Accessories

FROG-CFNI



Stainless steel underground foundation box

A4364



Lever style manual release lock

ZLJ24



ZLJ24 Digital control panel with user management

LB180



Battery back-up connection board to ZLJ24

FL140



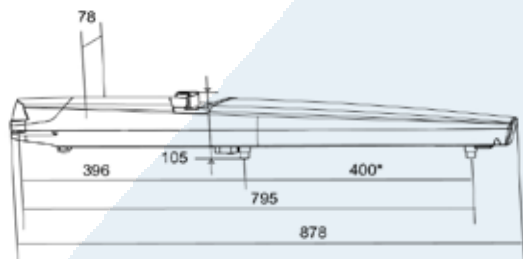
Connection kit for gates opening up to 140°

FL180



Connection kit for gates opening up to 180°

# Surf 350 24V



- Robust electromechanical operator.
- Die-cast aluminium body and weather-resistant polyester paint.
- Two-wire connection.
- Adjustable mechanical stops including IP67 limit switches.
- Adjustable back fixing bracket.
- Strong endless screw supported by top quality bearings.
- Battery back-up capable.

Ideal swing gate solution for many gate applications of gates up to 3.5 metres. Operators fitted with IP67 limit switches or mechanical stops and two-wire connection. All controlled by fully manageable USER2 24V digital control board.



Metal manual release lever and lock.



Mechanical stops with IP67 limit



Gears with bearings

TECHNICAL SPECIFICATIONS	
Supply Voltage	230V AC 50/60 Hz
Motor Power Supply	24V
Motor Power	60 Watt
Duty Cycle	Intensive
Max Gate Length	3.5m
Max Gate Weight	300 kg
Operating Temp	-20°C / +55°C
IP Rating	IP44
Stops Required	No

CODE	NAME	DESCRIPTION
SUR350KD	Surf 350 24V Double Kit	2 – Surf 350 24V operators, 1 – USER2 24V control panel, 1 – Receiver, 2 – Remote Controls.
SUR350KS	Surf 350 24V Single Kit	1 – Surf 350 24V operator, 1 – USER2 24V control panel, 1 – Receiver, 2 – Remote Controls.
SUR350	Surf 350 24V Operator	1 – Surf 350 24V operator.

## Accessories

RFUNI



Rolling code RF Receiver – 433,92MHz

CCRB4



Carbon 4 button rolling code remote control – 433,92MHz

ESUN



Battery back-up regulator board

ANT433C




Antenna and 4 metres coax cable- 433,92MHz

SPLIT



Low voltage split power supply – 24V / 100VA (see page 71)

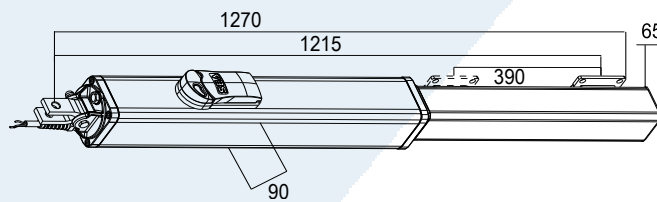
# Commercial Technical Specifications

		
Model	FULL TANK	AXO 71230
Type	Hydraulic	Linear
Supply Voltage	230VAC 50/60Hz	230VAC 50/60Hz
Motor Voltage	230V AC 50/60Hz	230V AC 50/60Hz
Motor Power	220W	175W
Max Cycles per/hour	70	30
Warranty	5 Years	2 Years
Operating T°	-20°C /+55°C	-20°C /+55°C
Max Gate Weight	<1000 Kg	<1000 Kg
Max Gate Length	<7.0m	<7.0m
Opening degrees	<120°	90°
IP Rating	IP55	IP44
Stops Required	Yes	Yes
Capacitor	12.5 µf	8 µf

# FULL TANK



- All internal components in oil lubrication.
- Anti-crushing bi-pass valves.
- Large 390mm stroke.
- Oscillating back connection bracket.
- Adjustable back fixing bracket.



Hydraulic swing gate operator for commercial applications of gates up to 7 metres.



Release system protected by lock



Ball joint for fine adjustment and pivot



Gears with bearings

TECHNICAL SPECIFICATIONS	
Supply Voltage	230V AC 50/60 Hz
Motor Power Supply	230V
Motor Power	220 Watt
Max Cycles Hour	70
Max Gate Length	7m
Max Gate Weight	1000 kg
Operating Temp	-20°C / +55°C
IP Rating	IP55
Stops Required	Yes

CODE	NAME	DESCRIPTION
FTANK390AC	Full Tank 390AC	1 – Full Tank 390 AC Operator (Gates up to 7 metres)

## Accessories

GATE2



GATE 2 Digital control panel with user management

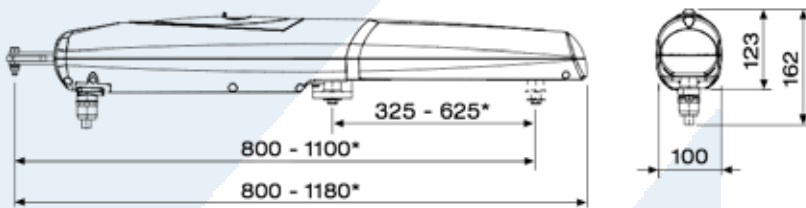
# CAME

## AXO 71230



- Die-cast aluminium painted body.
- Top quality bearings for smooth and silent operation.
- Double-threaded worm-screw for reduced bearing.
- Adjustable mechanical stops.
- Reversible motor.

Ideal swing gate solution for commercial applications of gates up to 7 metres.



\* AX71230 - AX5024

TECHNICAL SPECIFICATIONS	
Supply Voltage	230V AC 50/60 Hz
Motor Power Supply	230V
Motor Power	175 Watt
Max Cycles Hour	30
Max Gate Length	7m
Max Gate Weight	1000 kg
Operating Temp	-20°C / +55°C
IP Rating	IP44
Stops Required	Yes

**Note:** Electric lock or maglock must be fitted as operator is reversible.

CODE	NAME	DESCRIPTION
AX71230	AXO 71230 Operator	1 – AXO 71230 Operator (Gates up to 7 metres)

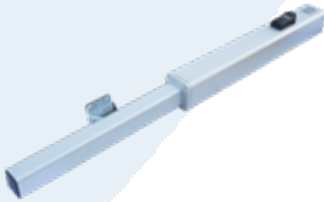
### Accessories

ZM3E



ZM3E Digital control panel with user management

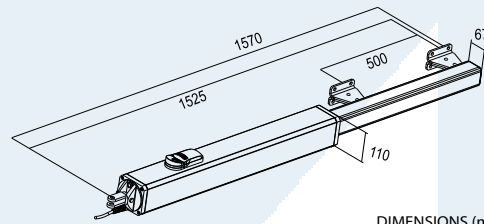
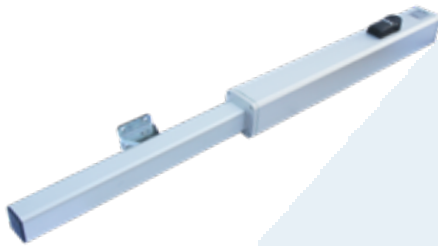
# Industrial Technical Specifications



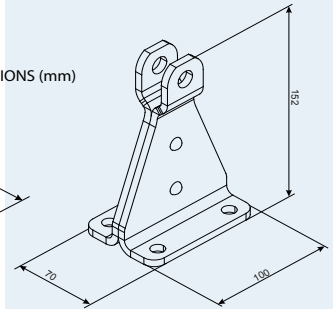
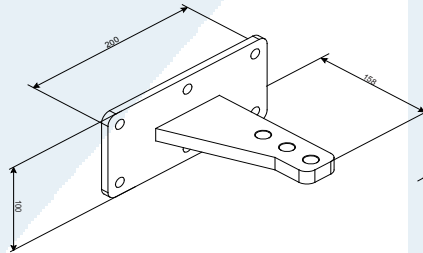
Model	Super Full Tank
Type	Hydraulic
Max working pressure	100 Bar
Supply Voltage	230VAC 50/60Hz
Motor Voltage	230VAC 50/60Hz
Motor Power	310W
Max Cycles per/hour	70
Warranty	5 Years
Operating T°	-20°C /+55°C
Max Gate Weight	<2000 Kg
Max Gate Length	<9.0m
Opening degrees	120°
IP Rating	IP55
Stops Required	Yes
Capacitor	16 µf



# Super Full Tank



DIMENSIONS (mm)



- All internal components in oil bath lubrication.
- Anti-crushing bi-pass valves.
- Large 500mm stroke.
- Oscillating back connection bracket.
- Adjustable back fixing bracket.

Ideal swing gate solution for large industrial sites for heavy gates up to 9 metres or windy applications on solid clad gates.



Release system protected by metal lock with release key inside



Round joint for stroke adjustment



Gears with bearings

TECHNICAL SPECIFICATIONS	
Supply Voltage	230V AC 50/60 Hz
Motor Power Supply	230V
Motor Power	310 Watt
Max Cycles Hour	70
Max Gate Length	9m
Max Gate Weight	2000 kg
Operating Temp	-20°C / +55°C
IP Rating	IP55
Stops Required	Yes

CODE	NAME	DESCRIPTION
SUPTANK500	Super Full Tank AC	1 – Super Full Tank 500 AC Operator (Gates up to 9 metres)

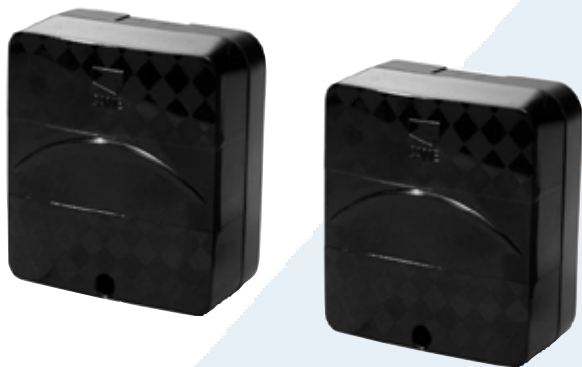
## Accessories

### GATE 2



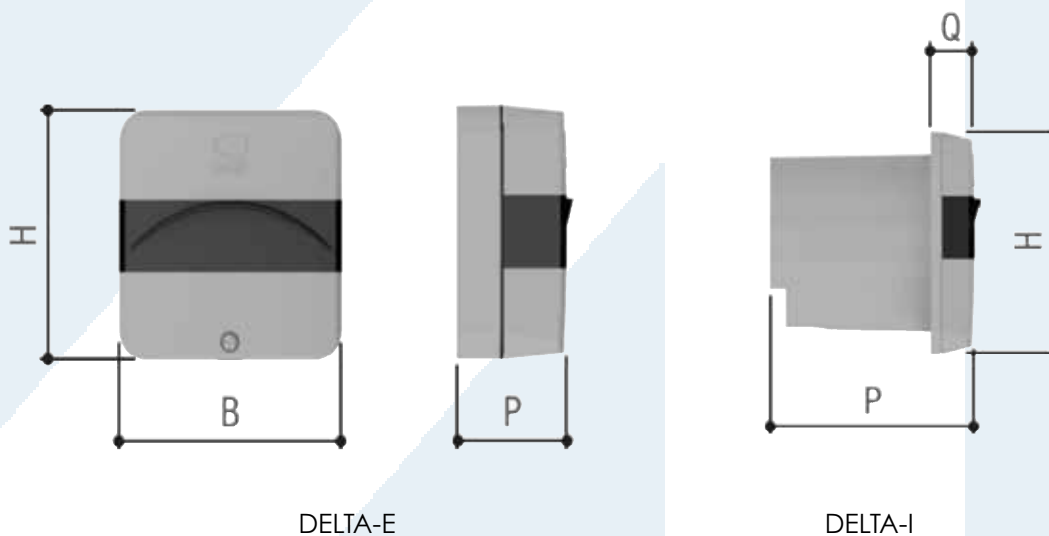
GATE 2 Digital control panel with user management

## Delta



- Control the gate's area of movement.
- High degree of protection against weathering.
- Infrared beam, even synchronised, to prevent any external signal disturbances.
- Security devices for gates in movement.

	DELTA-E	DELTA-I
Input Voltage	12-24V AC/DC	12-24V AC/DC
Max Range (m)	20	20

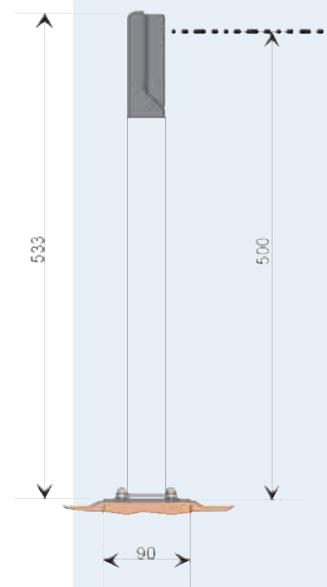
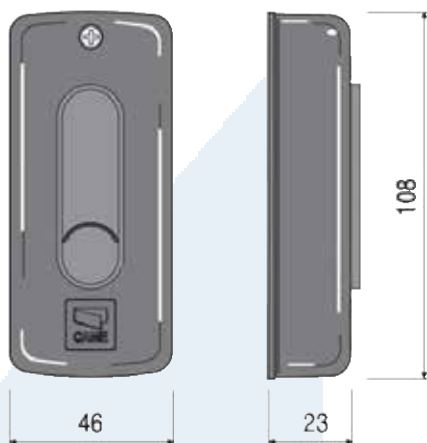
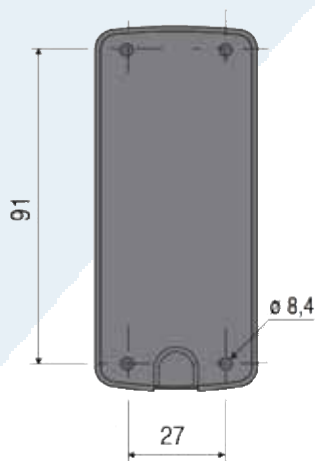


	B (mm)	H (mm)	P(mm)	Q(mm)
DELTA - E	70	70	36	-
DELTA - I	70	70	52	16



- Gate movement area control.
- Infrared beam, even synchronised, to offset any external disturbances of the signal.
- High degree of protection from weather agents.
- Infrared beam with synchronisation to prevent any external interferences.
- Slim line design for areas requiring smaller photocell.
- Range up to 20 metres.

	DIR10	DIR20
Input Voltage	24V AC/DC	12-24V AC/DC
Max Range (m)	10	20



### Accessories

DIR-L



Aluminium column for DIR photocell range - Silver, 0.5m

## Photocells



### CS36

- 24V AC/DC surface mounted photocells – 102 L x 50 W x 25 D (Good replacement for CAME DIR series).



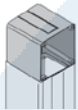
### DOC-L

- Aluminium column for DOC, DELTA, SET range – Silver, 0.5m.



### DOC-LN

- Aluminium column for DOC, DELTA or SET range – Black, 0.5m.



### 119RIR013

- Plastic top for mounting of DOC, DELTA or set range to DOC columns.



### CSS

- Aluminium column for DOC, DELTA or SET range – Silver, 1.0m.



### CSSN

- Aluminium column for DOC, DELTA or SET range – Black, 1.0m.



### DOC-PC

- Galvanised protective steel casing for DOC, DELTA or SET range – 90 L x 90 W x 40 D.



### DOC-PCR

- Galvanised mounting bracket for DOC, DELTA or SET range to weld to round pillar.



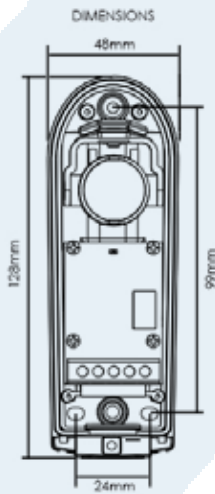
### DOC-R

- Steel angled bracket for DOC, DELTA or SET range – Black.

# Photocells



- Synchronised infrared photocells for outside mounting.
- Adjustable lens - 30° vertically and 180° horizontally.
- Range up to 30 metres.
- Anti-vandalism metal cover with security screw.



	EYES 2	FLIPSB
Input Voltage	12-24V AC/DC	12-24V AC/DC (RX) / 3.6V DC (TX)
Max Range (m)	30	15
Vertical Adjustment		30°
Horizontal Adjustment		180°

## Range



### EYES2

- Surface mounted photocells with anti-vandal covers.



### FLIPSB

- Surface mounted photocells with battery powered transmitter and anti-vandal covers.



### L36

- Lithium battery 3.6V – 9000mAh.



# Photocells



### P4370

- 9-24V AC/DC surface mounted dome style photocells.



### UPC-15

- 24-240C AC/DC photoelectric sensor pair (TX and RX) – IP65.



### UPC-15R

- 10-30V DC photoelectric sensor including reflector – IP65.

	P4370	UPC-15	UPC-15R
Input Voltage	9-24 AC/DC	24-240V AC/DC	10-30V DC
Max Range (m)	10m	25m	7m
Vertical Adjustment	No	Yes	Yes
Horizontal Adjustment	No	No	No

## Accessories



### P4730L

- Aluminium angled bracket pair for P4370 photocells – Black.



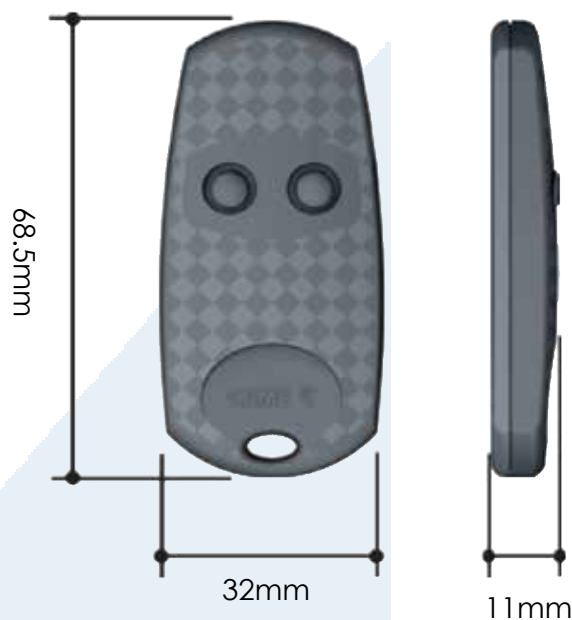
### P4730M

- Aluminium protection bracket pair for P4370 photocells for added protection – Silver.



- 16,777,216 possible combinations in TAM mode.
- TOP (12 bit) or TAM (24 bit) mode code-setting.
- Self-learning from transmitter to transmitter.
- 4,096 possible combinations in TOP mode.
- Multi-user function.

TECHNICAL SPECIFICATIONS	
Combinations	4,096 TOP mode - 16,777,216 TAM mode
Operating temperature (°C)	-20 ÷ +55
Material	ABS



### 432EE

- Two button rolling code remote – 433,92MHz.



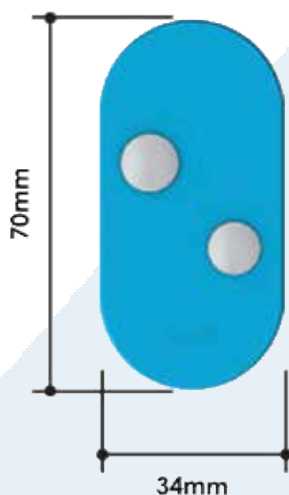
### 434EE

- Four button rolling code remote – 433,92MHz.



- Manages several operators on different frequencies.
- More secure thanks to the dynamic code
- Flat battery alert
- One device to manage two frequencies, that is 433.92MHz and 868.35MHz
- No setting required when selecting the frequency

	TOPD4RBS	TOPD4RXM
Combinations	4,096 / 16,777,216	
Frequency	433,92MHz / 868,35MHz	
Operating Temp °C	-20°C / +55°C	
Material	Polycarbonate	



### TOPD4RBS

- Four button, double frequency self-learning remote - 433,92MHz / 868,35MHz



### TOPD4RXM

- Package of six four button, double frequency self-learning remote - pink, green, yellow, black, grey, blue. 433,92MHz / 868,36MHz.



## Remotes



### TOPD4RBS

- Four button, double frequency self-learning remote - 433,92MHz / 868,35MHz



### TOPD4RXM

- Package of six four button, double frequency self-learning remote - pink, green, yellow, black, grey, blue. 433,92MHz / 868,36MHz.



### 312EE

- Two button rolling code remote – 315,00MHz.



### 314MA

- Four button rolling code remote – 315,00MHz.



### 432EE

- Two button rolling code remote – 433,92MHz.



### 434EE

- Four button rolling code remote – 433,92MHz.



### 434NA

- Four button rolling code remote – 433,92MHz.



### CLIK4M

- Four button Motostar rolling code remote – 433,92MHz.



### TM314

- Four button fixed code management remote control – 315,00MHz.

## Receivers & Antennas



### AF315

- One channel, plug in CAME receiver card – 315,00MHz.



### RX-MULTI

- Two channel external receiver 12-24V AC/DC – 315,00MHz.



### AF43S

- One channel, plug in CAME receiver card – 433,92MHz.



### MT6201

- One channel, plug in Motostar receiver card – 433,92MHz.



### RE432

- Two channel external receiver 12-24V AC/DC – 433,92MHz.



### RBE4N

- Four channel external receiver 12-24V AC/DC (Add receiver AF or MT to suit frequency/device).



### TA315N

- Tuned Antenna – 315,00MHz.



### TA433N

- Tuned Antenna – 433,92MHz.



### RG58

- Coax antenna cable (per m)

## Remotes



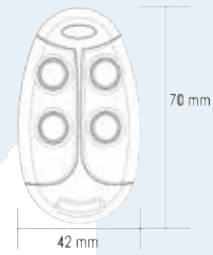
### CCR4

- Four button rolling code remote – 433,92MHz.



### LBR4F

- Four button fixed code remote – 433,92MHz.



DIMENSIONS (mm)

## Receivers & Antennas



### RFUNI

- Rolling code receiver card – 433,92MHz.



### RFFIX

- Fixed code receiver card – 433,92MHz.



### FLEXUNI

- Two channel rolling code external receiver 12-24 AC/DC – 433,92MHz.



### SIGBOX

- Two channel rolling code external receiver with IP rating 12-24 AC/DC – 433,92MHz.



### ANT433C

- Tuned Antenna including 4m coax – 433,92MHz.



### WLB

- Remote control wall mountable bracket to suit CCR4 and LBR4F remotes.

# Universal

## Remotes



### A43

- Four button rolling code remote – 433,92MHz.



### AD-MULTI

- Four button remote control duplicator. 300MHz - 868MHz. The remote can store up to 4 different fixed or rolling remote codes. Can replicate most remote control on the market (See table).

## Receivers



### R433

- Two channel rolling code external receiver 12-24 AC/DC – 433,92MHz.



### RX-MULTI

- Two channel multi frequency receiver 12-24V AC/DC - 300MHz - 868MHz. Will suit most genuine remote controls on the market.

## Compatible remotes for AD-MULTI

<b>DEA</b> TR2/4 MIO, GENIE R, TS2/4 MIO 868	<b>SOMFY</b> KEYTIS 2/4 NS, KEYGO 4 RTS, SOMFY 433-NLT4 BEIGE, SOMFY 433-NLT2 RTR, SOMFY TX2 433MHZ
<b>FAAC</b> XT2/XT4 433 SLH, XT2/XT4 868 SLH, XT2/XT4 433 SLH LR, XT2/XT4 868 SLH LR, T2/T4 433 SLH, T2/T4 868 SLH. TML2/TML4 433 SLH, TML2/TML4 868 SLH, DL2/DL4 868 SLH.	<b>CHAMERLAIN – LIFTMASTER – MOTORLIFT</b> 94335E, 4333E, 4335E, 94334E, 4333EML, 4335EML, 84334EML, 4335EML
<b>KEY</b> 900TXB-42R, SUB44, TXB-44R, TXG-44R	<b>SOMMER</b> 4014 TX03-434-2, 4013 TX02-434-4, 4022 TX03-434-2. 4026 TX03-868-2, 4020 TX03-868-4, 4025-TX02868.4011, 4010
<b>NICE</b> ONE: ON1/2/4/9, ONE ERA: ON1E/2E/4E/9E, INTI 1/2	<b>APERTO</b> TX02-434/868-2, 4025 TX02-868-2, 4022 TX02-434-2, 4020 TX-03-868-4, 4013 TX03-434-4
<b>SEAV</b> BE-HAPPY-RS1/2/3, BE-SMART RSX, BE-HAPPY RH1/2/3	<b>Centurion</b> NOVA
<b>TELCOMA</b> FM 402/402E	<b>DOORHAN</b> TRANSMITTER 4
<b>ATA</b> PTX4	<b>MERLIN + 2.0</b> M842, M832, M844, C945, C940, C943
<b>SUPERLIFT</b>	

## Remotes



**DT4**

- Four button dip switch code remote – 310,00MHz.

## Receivers & Antennas



**DRQ**

- Single channel dip switch code receiver 24 AC/DC – 310,00MHz.



**EXA-GP**

- Tuned Antenna including 1.5m coax – 310,00MHz.

## Remotes

**FMT301**

- One button dip switch code remote – 27,145MHz.

**FMT302**

- Two button dip switch code remote – 27,145MHz.

**FMT304**

- Four button dip switch code remote – 27,145MHz.

## Antennas

**ANT27145S**

- Tuned Antenna including 1.5m coax – 27,145MHz.

# Forklift Remotes



- Made in New Zealand.
- Long lasting rechargeable 12V – 1.3Ah gel cell battery.
- Weatherproof and robust manufacture.
- Dimensions 247 L x 78 W x 72 D.

## **FL3151**

- One button rolling code CAME remote – 315,00MHz.

## **FL3152**

- Two button rolling code CAME remote – 315,00MHz.

## **FL4331**

- One button rolling code ULTRA remote – 433,92MHz.

## **FLCCRB4**

- Two button rolling code SEA remote – 433,92MHz.

# CAME

## SEL Digital



- The digital control for all automated operators
- Backlit with blue light
- Cover in RAL 7024 grey colour
- 12-key keypad for extra security
- Transponder selector for Manchester-type cards and keyfobs
- Bluetooth selector with CAME AUTOMATIONBT APP free for IOS and Android



**SELT1W4G**

- 433.92 MHz surface-mounted, 12-key radio keypad selector, with blue backlight, 25 savable codes and password to access the programming mode. Settable in Rolling Code or Fixed Code mode.



**SELR1NDG**

- Surface-mounted transponder selector for cards, keyfobs and TAG (Manchester protocol) with blue backlighting.



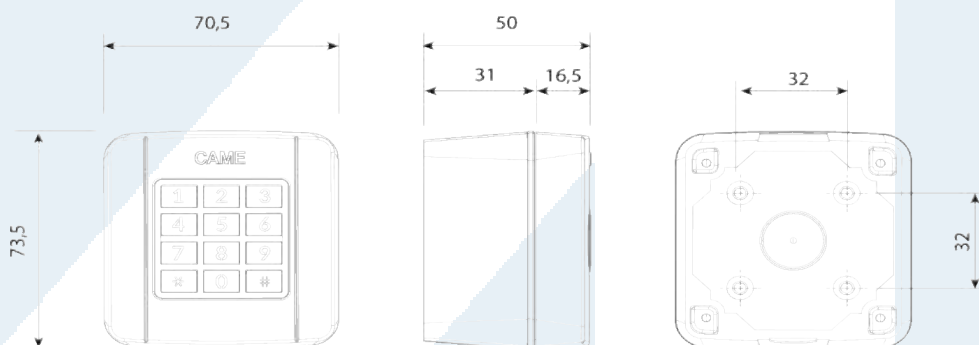
**SELT1NDG**

- Surface-mounted keypad selector, with 12 keys and backlight.



**SELT1NDG**

- Surface-mounted keypad selector, with keys and backlighting.



	SELT1W4G	SELR1SDG1	SELR1NDG	SELT1NDG
IP Rating		IP54		
Power Supply	-	12-24V AC/DC	-	-
Power (W)	0.144	0.7	0.83	0.6
Battery Capacity (mAh)	1600	-	-	-
Max rating of 24V (A) relay contacts	-	1	-	-
Operating Temp °C		-20°C / +55°C		

### Accessories

TST01



Transponder card, ISO 7810 - 7813 format, Manchester 125 KHz protocol

R700



Card for decoding and access control with transponder

R800



Control board for decoding and access-control management via keypad

PCT



Keyfob transponder



## Keypads / Transponder / Bluetooth



### S5000

- Stainless steel keypad with illumination bulbs – 12-24V AC/DC (Requires sub-board).



### S6000

- Stainless steel flush mount keypad – 12-24V AC/DC (Requires sub-board).



### S7000

- Stainless steel surface mount keypad – 12-24V AC/DC (Requires sub-board).



### S9000

- Stainless steel 4 channel wireless surface mount keypad (Requires AF43S).



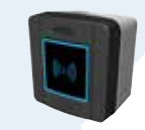
### SELT1W4G

- 433.92 MHz surface-mounted, 12-key radio keypad selector, with blue backlight, 25 savable codes and password to access the programming mode. Settable in Rolling Code or Fixed Code mode.



### SELT1NDG

- Surface-mounted keypad selector, with 12 keys and backlight.



### SELR1NDG

- Surface-mounted transponder selector for cards, keyfobs and TAG (Manchester protocol) with blue backlighting.



### SELT1NDG

- Surface-mounted keypad selector, with keys and backlighting.

## Accessories



### S0002

- Keypad sub-board for storage of up to two codes – 12-24V AC/DC.



### S0004

- Keypad sub-board for storage of up to four codes – 12-24V AC/DC.

# Keypads



## ROCK RF

- Wireless keypad for exterior mounting with 12 illuminated metal buttons.

TECHNICAL SPECIFICATIONS	
Frequency	433,92 MHz
Channels	2
IP Rating	IP44
Range	<70m
Batteries	Two 3V Lithium
Size (mm)	84L x 74W x 37D



## CUBE

- Anti-vandal aluminium keypad for management with up to 1010 users with two outputs. Codes from 2-6 numbers.

TECHNICAL SPECIFICATIONS	
Frequency	125KHz
Standby Current	<30mA
IP Rating	IP67
Working Current	160mA
Power Supply	12-24V AC/DC
Size (mm)	120L x 76W x 27D

# Keypads



### AD-2000

- Standalone anti-vandal keypads for management up to 2000 users. Codes from 4-8 numbers including tag and card function.

**Please note:** These are DC keypads (add P120 converters for AC supplies).

TECHNICAL SPECIFICATIONS	
Standby Current	<30mA
IP Rating	IP68
Working Current	<60mA
Power Supply	12-24V DC
Size (mm)	120L x 58W x 20D

## Keypad Accessories



### AD-TAG

- Tag for use with AD-2000 Keypad. 35L x 28W x 6.4D mm.



### AD-CARD

- Tag for use with AD-2000 Keypad. 85L x 54W x 2D mm.



### P120

- Power converter for keypad. Input voltage: 16-28V AC/DC. Output voltage: 12V DC.

# 3G Openers



### GSM200

• GSM opener for operation of system remotely. Complete with NO and NC outputs for connection with multiple devices and systems.



### 3G999

• 3G opener for operation, control and management remotely. Complete with NO, NC outputs and the addition of digital inputs and siren. Complete with downloadable APP for all smart phones.

TECHNICAL SPECIFICATIONS		
Model	GSM200	3G999
Users	200	999
Power Supply	9-24V DC/9-12V AC	
Relay Rate	5A/250V AC	
Size (mm)	100L x 75W x 30D	150L x 75W x 30D



## Key Switches



### SET-E

- Keyswitch for surface mounting including 2 keys.



### SET-I

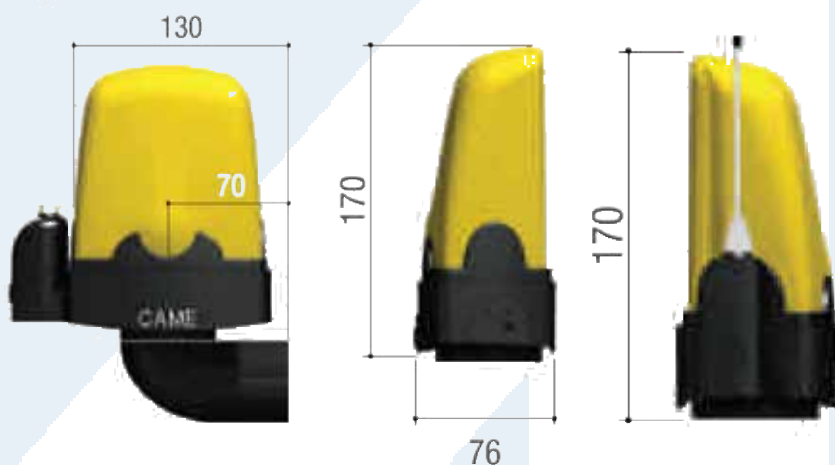
- Keyswitch for flushing mounting including 2 keys.

TECHNICAL SPECIFICATIONS		
Model	SET-E	SET-I
Current Rating	1A/24V	
IP Rating	IP54	

## Kiario



- Sleek design and high-quality materials for flashing light that offers much more than simple light alerts.
- The energy efficiency is due to lower consumption (1W - 120 V AC / 2W - 230 V AC / 2 W - 24 V AC - DC)
- Long life and low consumption.
- A wall-mounting support suitable for all installations.



TECHNICAL SPECIFICATIONS		
Model	KLED230	KLED24
Power Supply	230V AC	24V AC/DC
IP Rating	IP54	
Power	6 Watt	2 Watt
Duty Cycle	30%	100%

### Accessories

KLED230



Kiario 230V LED flashing light

KLED24



Kiario 24V LED flashing light

KIARIO-S



Kiario support mounting bracket

119RIR072



Kiario 230V flashing light bulb

119RIR073



Kiario 24V flashing light bulb

119RIR454



Kiario 230V LED replacement board (can be used in replacement of KIARIO-N/LXN)

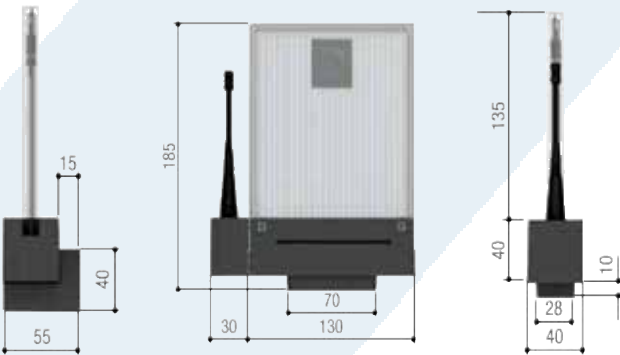
119RIR454



Kiario 24V LED replacement board (can be used in replacement of KIARIO-24N/24I)



- Long life and low consumption
- The energy efficiency comes from lower consumption levels (6W)
- One model, universal power supply
- Dadoo is the only universal LED flashing-light because it works with different voltages: 120 - 230 V AC / 24 AC - DC



TECHNICAL SPECIFICATIONS	
Protection rating (IP)	54
Power Supply (V)	120 - 230 AC 50/60 Hz - 24 AC - DC
Power (W)	7 (230 V AC) - 4 (120 V AC) - 6 (24 V AC) - 5 (24 V DC)
Operating Temperature (°C)	-20 ÷ +55
Material	ABS-PMMA



**NEW LED-TECHNOLOGY**  
Dadoo is the new designer flashing light featuring LED lighting. Completely new in shape, it is light, user-friendly and quick to install



**LONG LIFE, LOW CONSUMPTION**  
The energy efficiency comes from lower consumption levels (6W)



**ONE MODEL, UNIVERSAL POWER SUPPLY**  
Dadoo is the only universal LED flashing-light because it works with different power-supply voltages: 120 - 230 V AC / 24 V AC-DC



**ACCESSORIES SERIES**  
All of the models are set up for integrating, to right or left, or different types of antennas that is 433.92 and 868.35 Mhz, and come with their own wall-mounting support

### Accessories

DD-1KA



Flashing light with wall-mounting base and support.  
AMBER LED

DD-1KB



Flashing light with wall-mounting base and support.  
BLUE LED

DD-TA433



Tuned Antenna

RB58



Antenna Cable

# Lights



**FLASHUNI**

- Universal LED Flashing light 24V AC/DC - 230V AC.

## Light Accessories



**FXFL**

- FLASHUNI support mounting bracket.



**LED24**

- Replacement 3W LED lamp for FLASHUNI light.

TECHNICAL SPECIFICATIONS	
Power Supply	24V AC/DC - 230V AC
Output	24DC
Power (w)	3 WATT
IP Rating	IP54





### LOCK 81

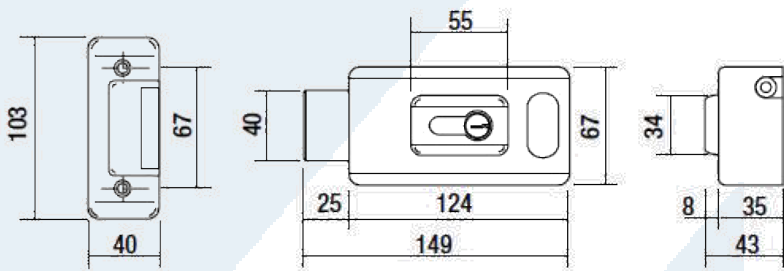
- Single cylinder electric lock including horizontal and vertical lock plates with 3 keys.



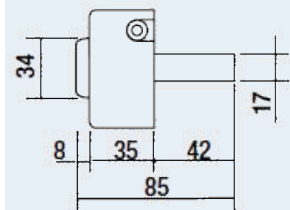
### LOCK 82

- Double cylinder electric lock including horizontal and vertical lock plates with 3 keys.

### LOCK 81



### LOCK 82



## Accessories



### HD-LOOP

- Heavy duty door loop with armoured cable (400mm) complete with cast aluminium connection boxes and stainless steel fixing screws.

# Magnetic Locks



## ML4500

- Electro Magnetic Gate Lock for holding force up to 200kg – 12/24V AC/DC.



## ML4700

- Electro Magnetic Gate Lock for holding force up to 380kg – 12/24V AC/DC.



## ML5000

- Electro Magnetic Gate Lock for holding force up to 700kg – 12/24V AC/DC.

## Accessories



## HD-LOOP

- Heavy duty door loop with armoured cable (400mm) complete with cast aluminium connection boxes and stainless steel fixing screws.



- Ideal for detecting vehicles at a carpark or automated gate entrances.
- Used as a safety or trigger loop to open a gate or barrier
- Easily powered from the gate control panel
- One loop for safety and the other loop is to trigger gates



### SMA

- Single channel, slimline with LCD display - din rail mount controller - 24V AC/DC



### SMA2

- Dual channel, slimline with LCD display - din rail mount controller - 24V AC/DC

TECHNICAL SPECIFICATIONS	
Model	SMA/SMA2
Supply Voltage	24V AC / DC
Power Consumption	Max 2 VA
Loop Inductance	Max 20-1000µH ideally 80-300µH
Output Relay (loop)	240 V AC/2 A AC1
Dimension	94 (H) x 22.5 (W) x 88 (D) mm
Connection Type	Plug-in terminals
Protection Class	IP20

# Loop Controllers



### VEK-M1H

- Single channel, slim-line - din rail mount loop controller – 24V AC/DC.



### BX4

- Single channel loop controller - 12/24V DC /24V AC.



### GVD201

- Single channel loop controller - 230V AC.



### GVD222

- Dual channel loop controller - 24V AC/AC.



### AX2

- Dual channel loop controller - 12/24V DC / 24V AC.

# Premade Loops

## LPS

- PVC Induction loop with 15m lead cable – 2000 x 1200.

## LPL

- PVC Induction loop with 15m lead cable – 3000 x 1400.



## LPPROBE

- Induction probe with 15m lead cable.



## FLS

- Flexible induction loop – 1200 x 2400.

**MADE IN  
NEW ZEALAND**



**MADE IN  
USA**



## Loop Accessories



### IND-100

- Inductive ground loop cable – 100m roll.



### ROD-8

- Foam rod 8mm – 50m roll.



### ROD-10

- Foam rod 10mm – 50m roll.



### CNS

- Concrete loop sealer sausage – 600ml.



### BTS

- Bitumen joint sealant cartridge – 310ml.



### CAULK

- Caulking gun.



### SAUSAGE

- Sausage gun.

## Drive Rack - Modular 4



### LT-RACK

- Nylon drive rack for gates up to 300kg (1m).



### CGZP

- Nylon drive rack for gates up to 800kg (1m).



### MD-RACK

- Steel drive rack (30 x 8) for gates up to 1000kg (1m).



### CGZ

- Steel drive rack (22 x 22) for gates up to 2500kg (1m).



### CGZW

- Steel drive rack (22 x 22) drilled with weld on spacers for gates up to 2500kg (1m).



### UI-RACK

- Steel drive rack (30 x 30) drilled with weld on spacers for gates up to 3000kg (1m).

## Drive Rack - Modular 6



### CGZ6W

- Steel drive rack (30 x 30) drilled with weld on spacers for gates up to 4000kg (1m).



### CGZ6

- Steel drive rack (30 x 30) for gates up to 4000kg (1m).

## Accessories



### SPACER

- Drive rack spacer – weld on.



### 266

- Screw / bolt on drive rack spacer and bolt.

## Gate Safety

As a result of an automatic gate injury in 2016, worksafe have release recommendations for automatic gates.

Please refer to worksafe website: <https://worksafe.govt.nz/about-us/news-and-media/automated-gates-safety-alert/>

## Safety Edges



**DFWN2500** - Sensitive safety edge 2500mm

**DFWN2000** - Sensitive safety edge 2000mm

**DFWN1700** - Sensitive safety edge 1700mm

**DFWN1500** - Sensitive safety edge 1500mm

**DFI** - Card for electronic connection and diagnosis





# Gate Safety



**E-STOP** Emergency dome stop switch with NO & NC contactor



**KLED230** CAME 230V LED flashing light



**KLED24** CAME 24V LED flashing light



**DD-1KA** Dadoo universal flashing light 24V - 230V AC (Orange)



**DD-1KB** Dadoo universal flashing light 24V - 230V AC (Blue)

## Barrier Arms

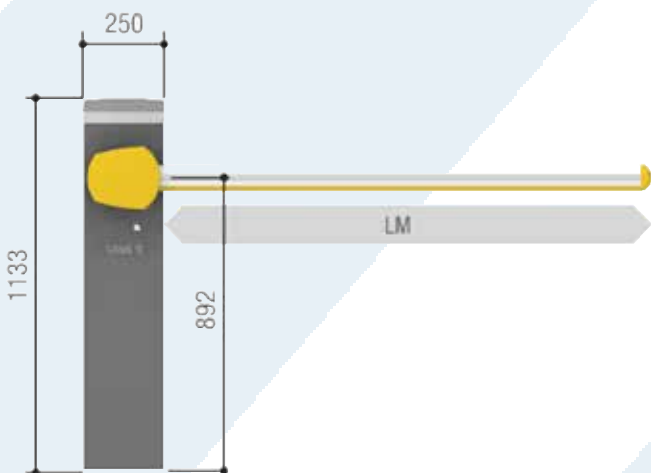
MODEL	GARD Brushless	G6000	GARD 4	GARD 8	GARD 12
Max Clearance Width (m)	3.80	6.0	3.75	7.60	12.0
Protection Rating (IP)	IP54				
Power Supply (V)	230V AC 50/60HZ				
Motor Power (V)	48V DC	24V DC			
Current Draw (A)	1.5A	15A MAX			
Power (W)	350W	300W			
Opening Time 90° (s)	1.2 secs	4.0 - 8.0 secs	2.0 - 6.0 secs	4.0 - 8.0 secs	10.0 secs
Duty Cycle (%)	Continuous	Heavy Duty Service			50%
Operating Temp (°C)	-20°C / +55°C				

# CAME

## GARD Brushless PT



- A modernly designed barrier, with perfectly blended aesthetics and perfection for any application.
- Highly performing brushless motor and extremely silent.
- Accessory for detachable boom to use in high traffic-volume conditions.
- Painted aluminum cabinet with red/green signaling luminous crown on the top.
- Control board with display designed to connect to the Cloud via CAME Connect.
- It can work in either paired mode or alternating mode via the RSE card.



TECHNICAL SPECIFICATIONS	
Protection Rating (IP)	54
Power Supply (V-50/60Hz)	230 AC
Power Supply to motor (V)	48 DC
Absorption (A)	1,5 (230 V AC)
Power (W)	350
Opening time at 90°(s)	1.2
Duty/cycle (%)	CONTINUOUS SERVICE
Operating Temperature (°C)	-20 ÷ +55

### Accessories

803XA-0100



Brace for fitting emergency batteries

803XA-0100

LED Luminous crown

803XA-0070



Balancing springs assembly

RSE



Interface card for controlling two operators or for enabling the CAME remote protocol

R700



Card for decoding and access control with transponder

R800



Control board for decoding and access-control management via keypad selectors



- Suitable for arms up to 6 metres in length.
- Low voltage motor for intensive applications.
- Adjustable operational speed.
- Robust mechanical stops.
- Battery back-up capability.
- Ideal solution for commercial and industrial sites requiring arms up to 6 metres.



### TECHNICAL SPECIFICATIONS

Supply Voltage	230VAC 50/60 Hz
Motor Power Supply	24V
Current Draw (A)	15A Max
Motor Power	300 Watt
Duty Cycle	Intensive
Max Arm Length	5-6m
Operating Temp	-20°C / +55°C
IP Rating	IP54

CODE	NAME	DESCRIPTION
G6000DX	G6000 DX Barrier unit	1 – G6000 DX barrier unit (steel case – orange)
G6000SX	G6000 SX Barrier unit	1 – G6000 SX barrier unit (steel case – orange)

**NOTE:** DX is a RHS barrier and SX is a LHS barrier (inside property looking out)

## Accessories

LB35



Battery backup card including 2 – 7Ah gel cell batteries

119RIG076



Battery support bracket for back-up batteries

G0461



Reflector labels (24 Pack)

G0467



Articulated Arm joint

G0468



Photocell standoffs mount

KIARO-S



Support bracket for KIARO light

G04601



Internal attachment plate for KIARO-S to barrier

G0605



Arm clamp to suit 100mm tubular arm

119RIG159



End cap for 100mm tubular arm

NLW



Nylon wear bracket for arm

G0469A



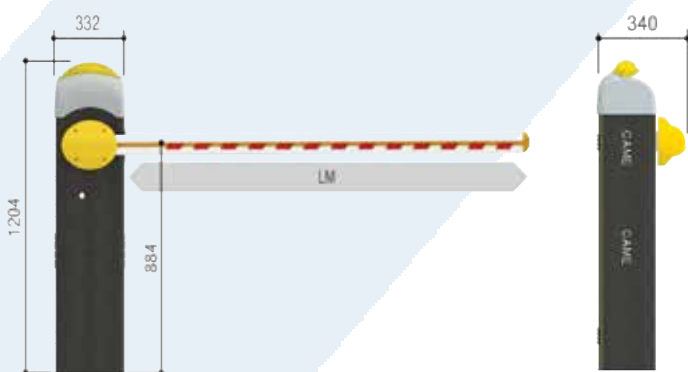
Heavy duty receiving Y bracket – orange

## Arms

CODE	NAME	DESCRIPTION
BA6000	G6000 Sacrificial Arm	Sacrificial barrier arm including reflector labels -6m
G06016	G6000 Standard Arm 6m	Standard 6 metre arm including reflector labels
G060155	G6000 Standard Arm 5.5m	Standard 5.5 metre arm including reflector labels
G06015	G6000 Standard Arm 5m	Standard 5 metre arm including reflector labels



- A stylishly modern barrier with aesthetics that blend into any setting.
- The protective case protects the boom movement against possible shearing while opening and closing.
- Can work in either paired or alternate mode, with the RSE card.
- The LED dome flashing light is durable and provides safety, while the photocells can be integrated into the cabinet.
- The 24 V DC power supply is the best choice for heavy duty service conditions.



TECHNICAL SPECIFICATIONS	
Protection Rating (IP)	54
Power Supply (V-50/60Hz)	230 AC
Power Supply to motor (V)	24 DC
Absorption (A)	15 Max.
Power (W)	300
Opening time at 90° (s)	2 ÷ 6*
Duty/cycle (%)	HEAVY DUTY SERVICE
Torque	600
Operating Temperature (°C)	-20 ÷ +55

### Accessories

LB39



Circuit board for emergency operation and battery charging

RSE



Interface card for controlling two operators or for enabling the Came remote protocol

R700



Card for decoding and access control with transponder

R800



Control board for decoding and access-control management via keypad

G02040



Balancing spring Ø 40mm

G04060



Balancing spring Ø 50mm

G06080



Balancing spring Ø 55mm

G02801



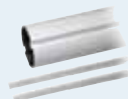
Integrated, dome flashing light

G03751



Brace for fitting emergency batteries

G03752



White painted semi-oval section boom, with groove covering profile. Boom length 4m

G028401



LED luminous cord

G028402



Cable for connecting the luminous cord

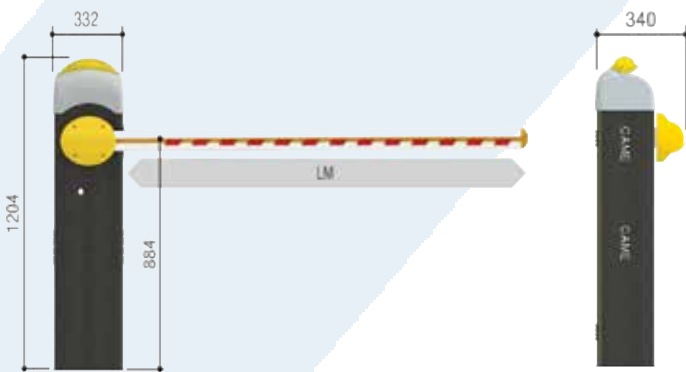
G02809



Package of 20 red, reflective, adhesive strip



- A modern style, aesthetically pleasing barrier.
- The LED dome flashing light is durable and provides safety, while the photocells can be integrated into the cabinet.
- The protective case protects the boom movement against possible shearing while opening and closing.
- The 24 V DC power supply is the ideal choice for heavy-duty service.



TECHNICAL SPECIFICATIONS	
Protection Rating (IP)	54
Power Supply (V-50/60Hz)	230 AC
Power Supply to motor (V)	24 DC
Absorption (A)	15 Max.
Power (W)	300
Opening time at 90° (s)	4 ÷ 8*
Duty/cycle (%)	HEAVY DUTY SERVICE
Torque	600
Operating Temperature (°C)	-20 ÷ +55

## Accessories

LB39



Circuit board for emergency operation and battery charging

RSE



Interface card for controlling two operators or for enabling the Came remote protocol

R700



Card for decoding and access control with transponder

R800



Control board for decoding and access-control management via keypad

G02040



Balancing spring Ø 40mm

G04060



Balancing spring Ø 50mm

G06080



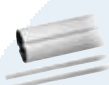
Balancing spring Ø 60mm

G02805



Rack for housing the emergency batteries

G02000



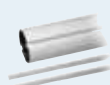
White painted, tube section aluminum boom, with groove covering profile. Ø 100mm, boom length: 2m

G04000



White painted, tube section aluminum boom, with groove covering profile. Ø 100mm, boom length: 4m

G06000



White painted, tube section aluminum boom, with groove covering profile. Ø 100mm, boom length: 6m

G028401



LED luminous cord

G02801



Integrated, dome flashing light

G028402



Cable for connecting the luminous cord

G02809

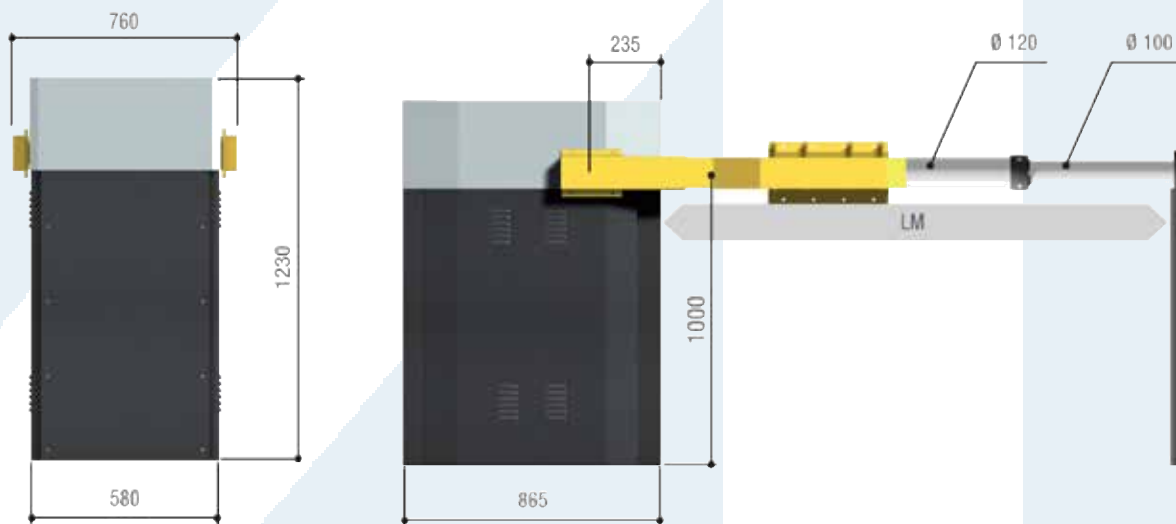


Package of 20 red, reflective, adhesive strip



- Two gearmotors installed in the cabinet and fitted along the same axis to provide greater motor torque.
- The boom moves safely and reliably thanks to its special modular, counter-weight, balancing system, depending on the length of the boom.
- A vast range of control and safety accessories for a fully fitted installation.
- The 24 V DC power supply is ideal for ensure optimal control of the boom's movement.

TECHNICAL SPECIFICATIONS	
Protection Rating (IP)	54
Power Supply (V-50/60Hz)	230 AC
Power Supply to motor (V)	24 DC
Absorption (A)	15 Max.
Power (W)	300
Opening time at 90°(s)	4 ÷ 8*
Duty/cycle (%)	HEAVY DUTY SERVICE
Torque	600
Operating Temperature (°C)	-20 ÷ +55



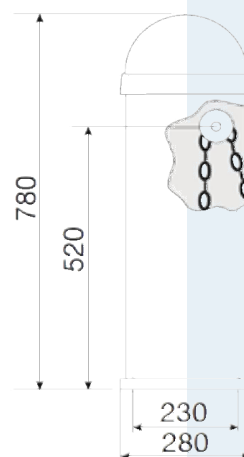
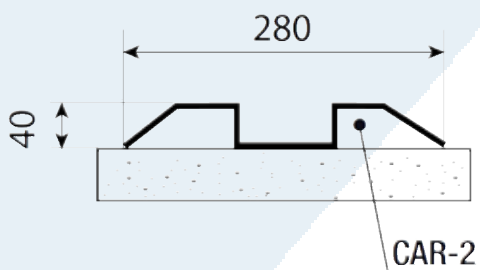
### Accessories

- |  |   |                                      |   |
|--|---|--------------------------------------|---|
| <p>G0121</p>                                   | <p>LB38</p>   | <p>G1325</p>                         | <p>G0461</p>  |
| <p>Tubular boom arm for G120000 telescopic</p> | <p>Circuit board for emergency operation and battery charging</p> | <p>Package of 20 counter-weights</p> | <p>Package of 20 red, reflective, adhesive strips</p> |





- Patented system for managing car parks.
- Sturdy, steel impact resistant bollard.
- Quick and easy to install.
- Power required to master unit only.
- Ideal solution for areas to stop traffic in areas where barriers are not suitable.



The ideal solution for securing passages in exclusive settings.



The chain barrier is the ideal solution for parking areas.

TECHNICAL SPECIFICATIONS	
Supply Voltage	230VAC 50/60 Hz
Motor Power Supply	24V
Current Draw (A)	20A Max
Motor Power	240 Watt
Duty Cycle	Intensive
Max Opening	16m
Operating Temp	-20°C / +55°C
IP Rating	IP54

CODE	NAME	DESCRIPTION
CAT-X24	CAT-X24 Chain barrier	1 – CAT-X24 chain barrier bollard with 24V gearmotor and control panel.
CAT-I	CAT-I Chain barrier	1 – CAT-I chain barrier bollard with counterweight.

### Accessories

LB35



Battery backup card including 2 – 7Ah gel cell batteries

CAT-5



Chain to suit CAT – 9mm (8 metre length)

CAT-15



Chain to suit CAT – 5mm (16 metre length)

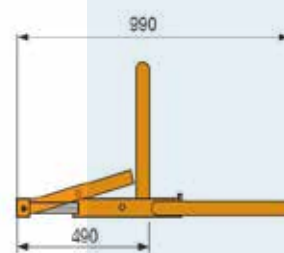
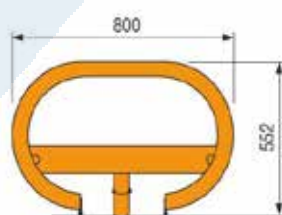
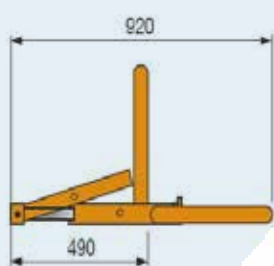
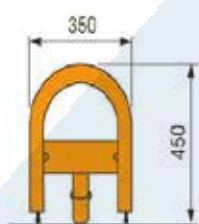
CAR-2



Surface mounted chain channel – 2 metres



- Innovative solution for controlling car parks.
- Large and small sizes available.
- Battery back-up capable.
- Ideal solution for saving private car parks.



TECHNICAL SPECIFICATIONS	
Supply Voltage	230VAC 50/60 Hz
Motor Power Supply	24V
Current Draw (A)	1.7A Max
Motor Power	20 Watt
Duty Cycle	Intensive
Operating Temp	-20°C / +55°C
IP Rating	IP54

CODE	NAME	DESCRIPTION
UNIPARK	UNIPARK Parking barrier	1 – UNIPARK 24V/20W parking barrier (370 W x 530 H)
UNIPARK-L	UNIPARK-L Parking barrier	1 – UNIPARK-L 24V/20W parking barrier (780 W x 700 H)

### Accessories

ZL21



ZL21 Unipark control panel

LM21



Expansion card for additional units on single control panel (Max.4)

LBT



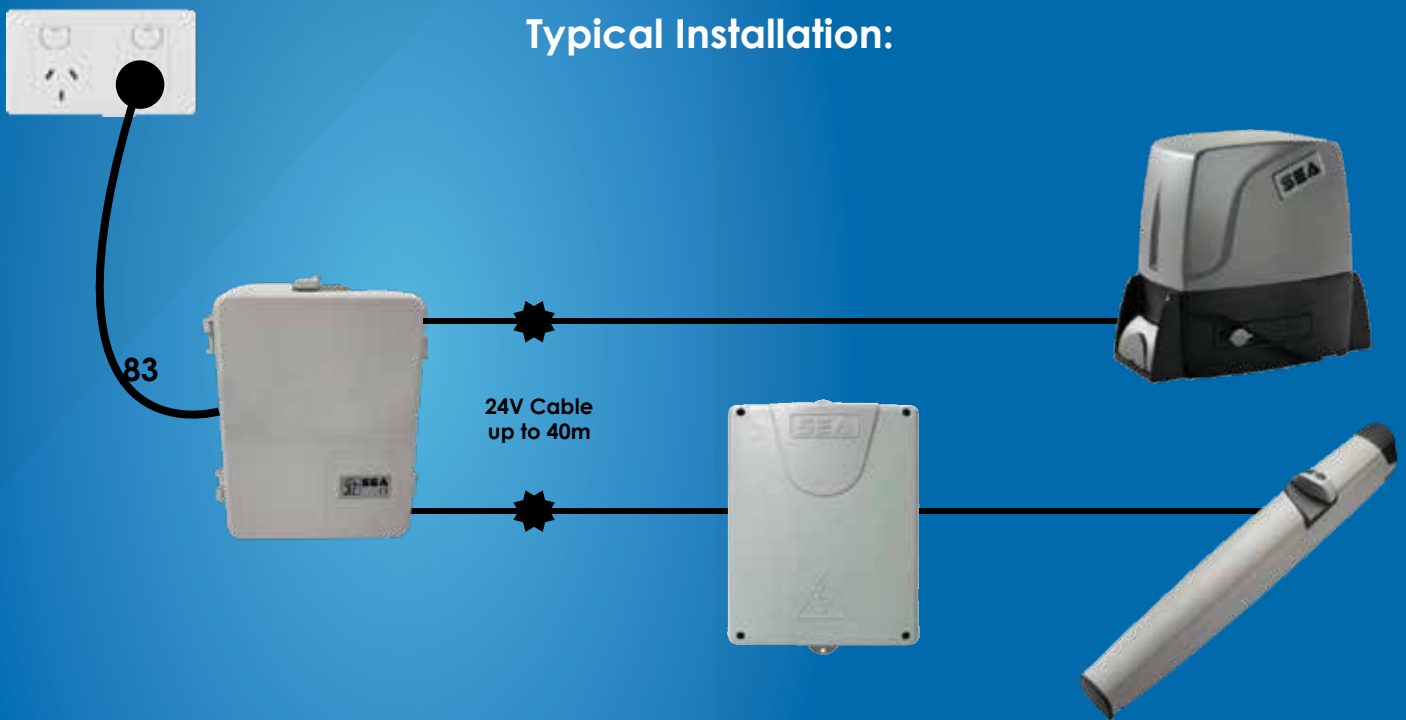
Battery back-up card

# LOW VOLTAGE POWER SUPPLY

## SPLIT

Not everyone has 230 volt at the gate. A 600mm deep trench and getting power to gate can be expensive.

The SPLIT low voltage power supply comes with a plug prewired to plug into the power point. This allows you to run 24V garden cable to the gate. The 24V cable can sit just below the surface or be connected to a fence.



CODE	NAME	DESCRIPTION
SPLIT	Split 24V Power Supply	Low Voltage 24V split power supply for 24V connection

### Recommended Cable:

- Excellent UV resistance.
- Excellent water resistance.
- Excellent mechanical resistance.
- Remains flexible.
- Temperature rating of -25 to 60 degrees celsius.

CODE	NAME	DESCRIPTION
CRF2X2.5	Black rubber Flex	Heavy Duty neoprene rubber cable - 2 core - 2.5mm



# CAME

## Control Panels



### **ZA3P**

- ZA3P Control panel – 230V (ATI 230V, CLOK, KRONO, FERNI 230V, FROG 230V).



### **ZT6**

- ZT6 Control panel – 400V (BK2200TA, BY3500T).



### **ZL180**

- ZL180 Control panel – 24V (ATI-N).



### **ZLJ24**

- ZLJ24 Multi-functional control panel – 24V (AXO, FERNI-FE, FROG-A24E).



### **ZM3E**

- ZM3E Multi-functional control panel – 230V (AXO 230V).



### **ZL19N**

- ZL19N Control panel – 24V (ATI, FERNI, FROG).

## Control Panels



### LM21

- LM21 Expansion card (ZL21 control panel).



### LBT

- LBT Control board (ZL21 battery back-up).



### LB18

- LB18 Control panel (ZL19N battery back-up).



### ZL21

- ZL21 Control panel (UNIPARK).



### ZL37F

- ZL37F Control panel – 24V (G6000, CAT-X24).



### ZL38

- ZL38 Control Panel (G6000).



### LB38

- LB38 battery back-up board for ZL38.



### LB35

- LB35 battery back up board for ZL37 and ZL37F.



### ZL15

- ZL15 Control panel (WINNY).



# Universal

## Control Boards



### **EMC**

- Universal control board 12/24V for two motors with or without limits.



### **EMC2**

- Universal intensive use control board 12/24V for two motors with or without limits.



### **EMC240**

- Universal control board 230V for two motors with or without limits.

# ABS Enclosures

**119RIR315**

- ABS enclosure – CAME – 275 L x 205 W x 130 D.

**119RIR156**

- ABS enclosure – CAME with vents – 320 L x 240 W x 145 D.

**EB150**

- ABS enclosure – hinged with locking clips – 150 L x 150 W x 90 D.

**EB180**

- ABS enclosure – hinged with locking clips – 180L x 180 W x 150D.

**EB200**

- ABS enclosure – hinged with locking clips – 300 L x 200 W x 160 D.

**EB300**

- ABS enclosure – hinged with locking clips – 400 L x 300 W x 160 D.

# Polyester Enclosures



- Tough, weatherproof cabinet for harsh environments and applications.
- Glass fibre reinforced polyester (GFRP).
- IP66.
- IK10 Impacting rating.
- RAL7035 Colour (light grey).
- Temperature rating -50°C to +150°C.
- Insulation rating of 10,000V.
- UV stabilized.
- LH or RH door swing capability.

TECHNICAL SPECIFICATIONS			
	LENGTH	WIDTH	DEPTH
A32T	300	200	170
A43T	400	300	170
A54T	500	400	230
A64T	600	400	230
A75T	700	500	270
A86T	800	600	300
A108T	1000	800	300



# Stainless Steel Enclosures



## Enclosure

- Tough, weatherproof cabinet for harsh environments and applications requiring additional security for electrical controls and equipment.
- 304 Stainless steel.
- IP66.
- Stainless hinges.
- 3mm bit lock.
- Stainless mounting brackets.
- Steel mounting plate.
- Plain sides.

TECHNICAL SPECIFICATIONS			
	LENGTH	WIDTH	DEPTH
S43T	400	300	200
S54T	500	400	200
S64T	600	400	200
S75T	700	500	250
S86T	800	600	250
S108T	1000	800	300

# Plinths & Pits



- Strong aluminium plinths for mounting of the polyester and stainless steel enclosures.
- Plinth helps to ensure all electrical and electronics are kept away from the moisture found at ground level.
- Allows for conduits to be left longer to prevent water ingress.
- Drilled with 6 mounting holes for secure mounting.

TECHNICAL SPECIFICATIONS			
	LENGTH	WIDTH	HEIGHT
P32	220	175	100
P43	320	175	100
P54	420	235	200
P75	530	275	200
P86	640	290	200

## Accessories



### E-STRAP

- Aluminium strap 175L x 30W x 4mm thick, drilled with a 14mm hole and used for securing enclosure to plinth.



### PAINTING

- Painting of enclosures and plinths using a 2 pot heavy duty paint - silver in colour.



### PIT

- Strong and versatile cable pit made from durable, black, UV stable plastic compounds. Complete with lid and ability to have vehicles drive over top.



# Sliding Gate Track

**292**

- Galvanised embedded V sliding gate track – 6 metres.

**193**

- Galvanised surface mounted V sliding gate track – 3 metres.

**294**

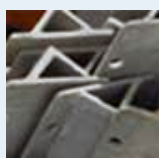
- Joining pin for embedded gate track (292).

**295**

- Joining pin for surface gate track (193).

**189**

- Galvanised surface mounted U sliding gate track – 3 metres.

**HDST**

- Galvanised Industrial surface mounted V sliding gate track – 6 metres.

**SGS**

- Scraper for end of sliding gate track – nylon.

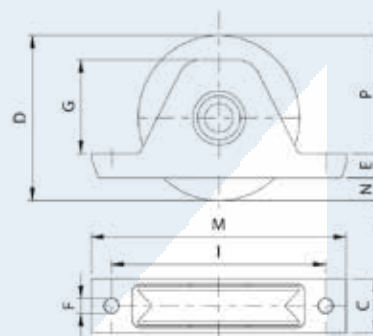
**PA65**

- Anchor pin for securing 193 and 189 track - 6.5 x 50mm.

**MASD**

- Concrete Drill – 6.5mm.

# Sliding Gate Wheels

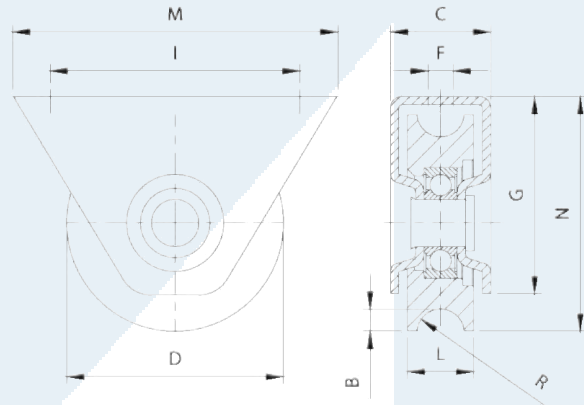


## 336V

Sliding gate caged V wheel in electro-galvanised steel with double sealed bearings.

TECHNICAL SPECIFICATIONS										
	C	D	E	F	G	I	M	N	P	Weight (KG)
<b>336V-90</b>	32	Ø88	14,5	Ø9	55,5	130	155	9	64,5	300
<b>336V-100</b>	32	Ø98	14,5	Ø9	55,5	130	155	14	69,5	380
<b>336V-120</b>	37	Ø117	15	Ø9	65	155	185	16,5	85,5	400
<b>336V-140</b>	40	Ø137	17	Ø11	77	175	205	15	105	420
<b>336V-160</b>	42	Ø157	20	Ø11	87	195	225	20,5	116,5	640
<b>336V-200</b>	42	Ø197	22,5	Ø11	107,5	240	275	26,5	148	700

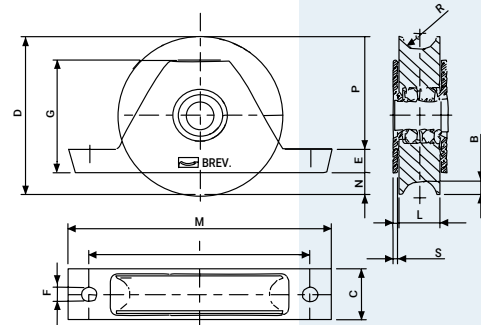
# Sliding Gate Wheels



## 327-80S

Sliding gate U wheel for external support with double sealed bearings.

TECHNICAL SPECIFICATIONS												
	B	C	D	F	G	I	L	M	N	R	Ø	Weight (KG)
<b>327-80S</b>	9.5	36	Ø78	Ø9	71	90	24	117	84.5	10.3	Ø19	200



## 338U

Sliding gate caged U wheel in electro-galvanised steel with double sealed bearings.

TECHNICAL SPECIFICATIONS										
	C	D	E	F	G	I	M	N	P	Weight (KG)
<b>338U-90</b>	32	Ø88	14,5	Ø9	55,5	130	155	9	69,5	300
<b>338U-140</b>	40	Ø137	17	Ø11	77	175	205	15	105	420
<b>338U-160</b>	42	Ø157	20	Ø11	87	195	225	20.5	116.5	640

# Nylon Rollers



**230-25**  
 • Ø25 x 34mm nylon roller - white.



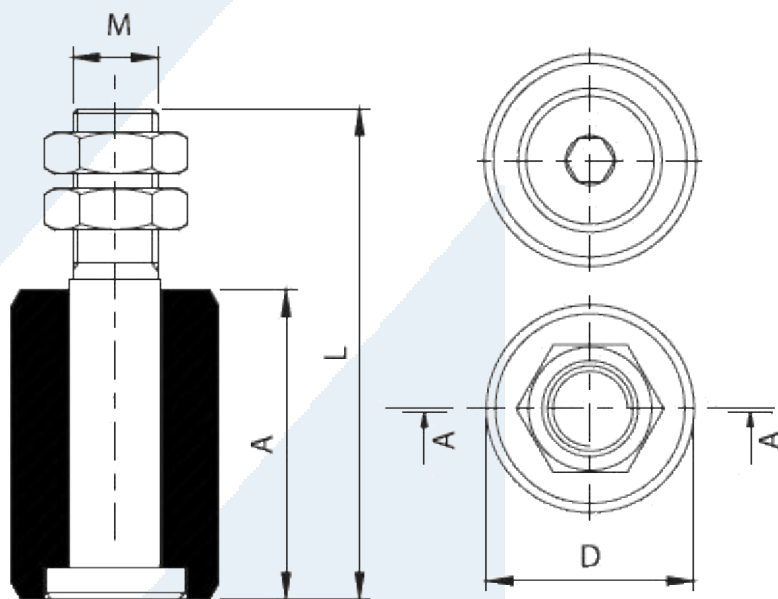
**230-30**  
 • Ø30 x 40mm nylon roller - white.



**230-40**  
 • Ø40 x 58mm nylon roller - white.



**230-42**  
 • Ø42 x 58mm nylon roller - white.

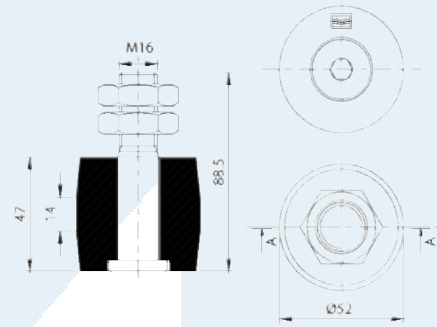


TECHNICAL SPECIFICATIONS				
	A	D	L	M
<b>230-25</b>	34	Ø25	63	M14
<b>230-30</b>	40	Ø30	74	M16
<b>230-40</b>	58	Ø40	98	M16
<b>230-42</b>	58	Ø42	98	M16

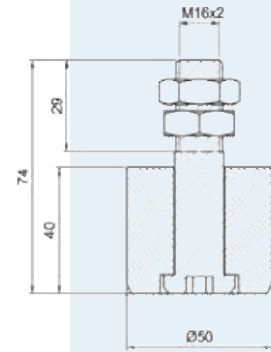
# Nylon Rollers



**231-52**  
 • Ø52 x 47mm nylon roller - white.



**2301-50**  
 • Ø50 X 40mm roller made from non-marking black nylon with stainless steel shaft and locking nuts.



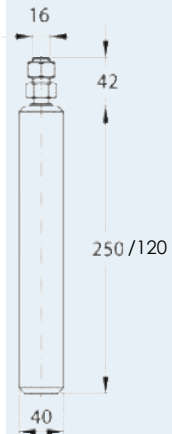
**NR60**  
 • Ø60 x 60mm two-bearing nylon roller - white.



**R120**  
 • Ø40 x 120mm nylon roller - Black.



**R250**  
 • Ø40 x 250mm nylon roller - Black.



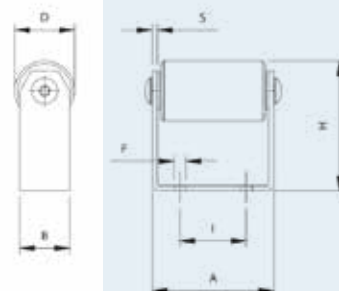
# Rollers



## CG25

- Bracket with nylon Roller.

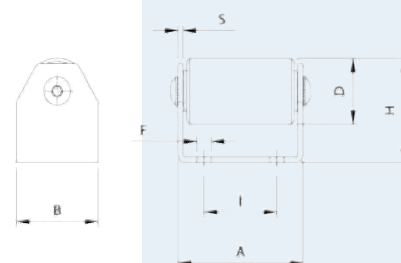
TECHNICAL SPECIFICATIONS							
	A	B	D	F	H	I	S
<b>CG25P</b>	122	50	Ø60	11	130	75	5
<b>CG25G</b>	161	60	Ø80	13	140	90	6



## CG35

- Bracket with nylon Roller.

TECHNICAL SPECIFICATIONS							
	A	B	D	F	H	I	S
<b>CG35P</b>	122	80	Ø60	17	95	70	5
<b>CG35G</b>	161	100	Ø80	21	120	90	6





# Sliding Gate Support

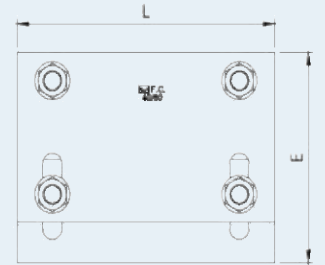
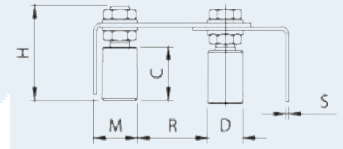


### 255-350

• Guiding plate – 350 L x 176 – 222 W x 98 H with Ø40 x 58 rollers. For gates 62-85mm thick.

### 255-30

• Guiding plate – 220 L x 135 – 175 W x 74 H with Ø30 x 40 rollers. For gates 35-62mm thick.

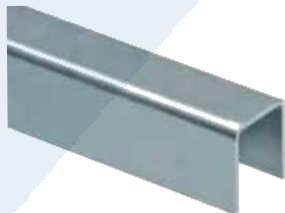
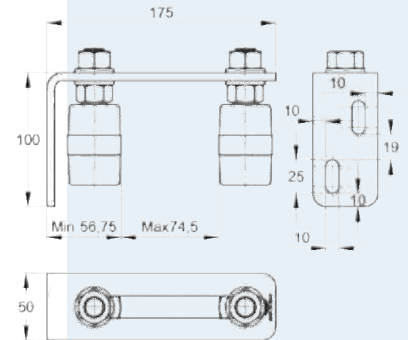


TECHNICAL SPECIFICATIONS									
	Rollers	C	D	E	H	L	M	R	S
255-30	Ø30 (4)	40	Ø30	135-175	74	220	38	35-62	3
255-350	Ø40 (4)	58	Ø39	176-222	98	350	47	62-85	4



### VA3207.B40

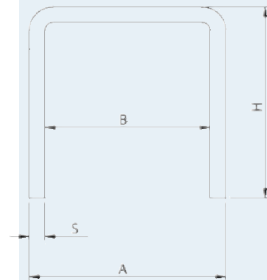
• Adjustable sliding gate upper guide bracket with 2 rollers with single slot. Adjustable 0-75mm.



### CG254

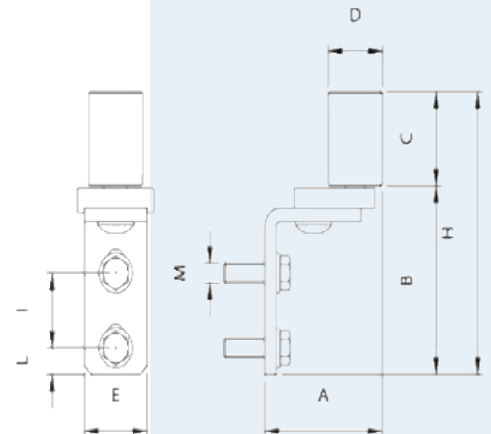
• U Rail gate guide to suit Ø40 x 58 roller.

TECHNICAL SPECIFICATIONS			
A	B	H	S
50	42	50	4.0



### CG252

• Guiding roller and adjustable bracket with Ø40 x 58 roller.



TECHNICAL SPECIFICATIONS									
A	B	C	D	E	H	I	L	M	
55-85	109	57	Ø40	46	167	53	16	M12	

# Sliding Gate Support



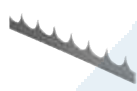
### VA3207

- Adjustable top guide and rollers. Adjustable up to 75mm wide.



### 165-62

- Guiding plate – 68 L x 165 W x 62 H with two 16mm slotted holes. (Suits gates 30-70mm thick when using Ø40x58 rollers).  
Note: Bracket does not include rollers.



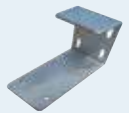
### 265

- Security strip – 33 H x 3000 L – 3mm thick.



### ANTP1

- Gold-line top receiving bracket. 4 - Ø40 x 55 rollers. For gates 70-95mm thick.



### ANTP2

- Galvanised top support bracket. 4 - Ø40 x 55 rollers. For gates 84-88mm thick. Adjustable 0 to 150mm.



### ANTP3

- Galvanised top support bracket. 4 - Ø40 x 55 rollers. Adjustable 0 to 58mm wide.

# Receiving Bracket



## **REC40**

- Gold-line top receiving bracket – galvanised.



## **BG40**

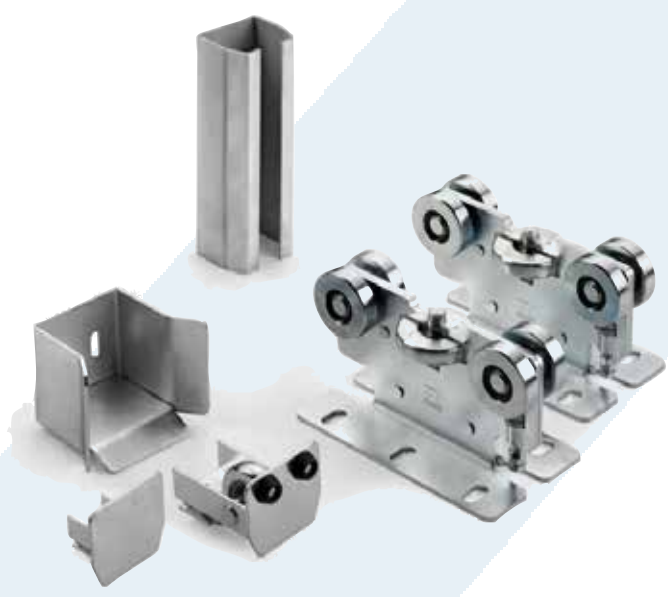
- Bi-sliding gate catcher – 40 x 10 FMS x 200 L - galvanised.



## **BG50**

- Bi-sliding gate catcher – 50 x 10 FMS x 150 L – galvanised.

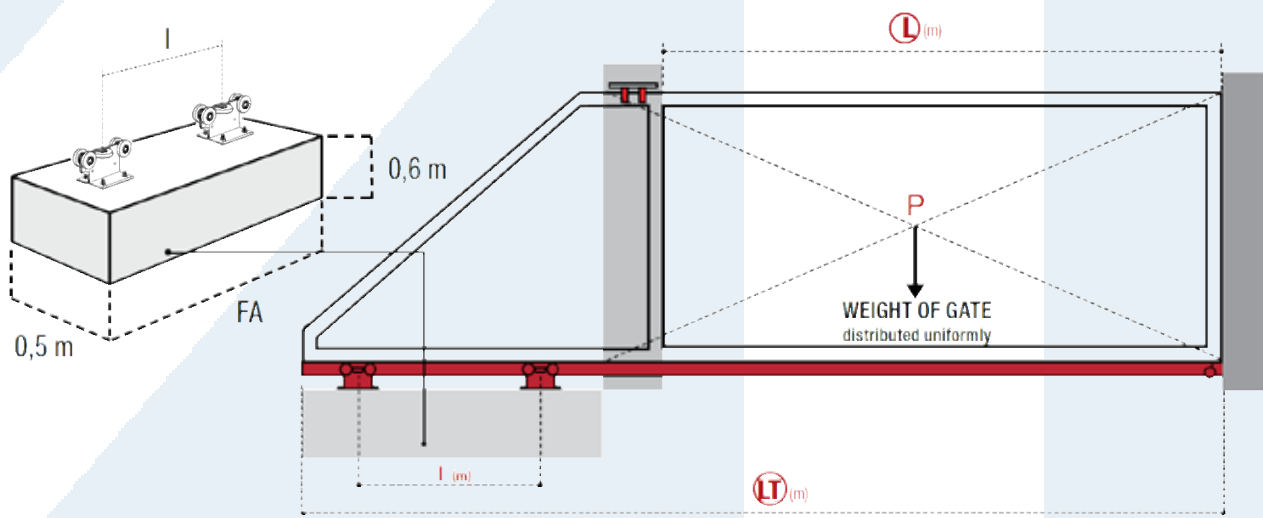
# Cantilever Kit - Small



**KIT300K includes:**

- 1 - CGS245M - Channel
- 2 - CGS150.5M - Trolleys
- 1 - 255-30 - Top guide
- 1 - CG346M - End cup
- 1 - CGS 347M - End wheel

TECHNICAL SPECIFICATIONS						
P	L=2 m		L=2.5m		L=3m	
Weight (kg)	FA(M)	I(M)	FA(M)	I(M)	FA(M)	I(M)
100	0,90	0,30	1,00	0,40	1,00	0,40
125	1,00	0,40	1,00	0,40	1,10	0,50
150	1,00	0,40	1,10	0,50	1,20	0,60
200	1,20	0,60	1,30	0,70	1,40	0,80
250	1,40	0,80	1,50	0,90	1,70	1,10
300	1,60	1,40	1,80	1,30	2,10	1,50



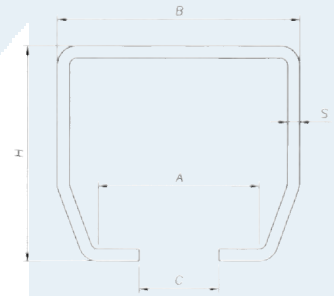
# Cantilever Gate - Small



### CGS245M

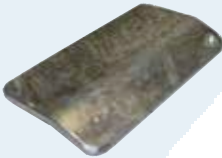
- Small cantilever channel – 6m. Size - 68 W x 68 H x 3.5mm thick.

TECHNICAL SPECIFICATIONS				
A	B	C	H	S
48	68	23	68	3.5



### CGS245WC

- Small channel end cap – weld on.



### CGS245JP

- Small channel joining plate – pair.



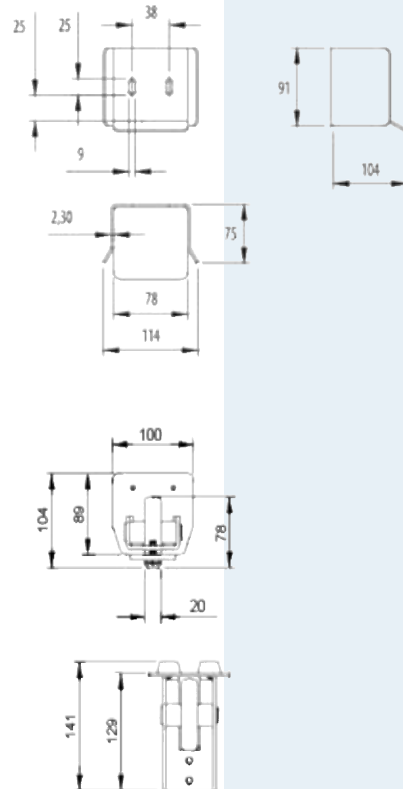
### CGS346M

- Small end receiving cup.



### CGS347M

- Small channel end wheel.

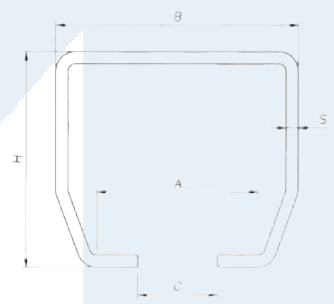


# Cantilever Gate - Medium

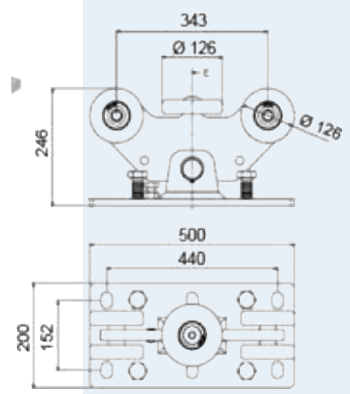


**CGS345P**  
 • Medium cantilever channel – 6m.  
 Size - 100 W x 89 H x 5mm thick.

TECHNICAL SPECIFICATIONS				
A	B	C	H	S
48	68	23	68	3.5



**CGS350P**  
 • Medium cantilever trolley - 5 wheel.  
**Note: See page 104 for EAG - 266 alternative.**



**CGS345WC**  
 • Medium channel end cap – weld on.



**CGS345BC**  
 • Medium channel end cap – bolt on

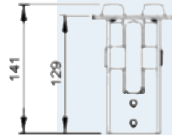
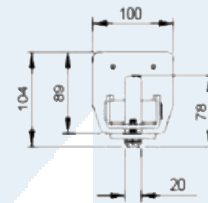


**CGS345JP**  
 • Medium channel joining plate – pair.

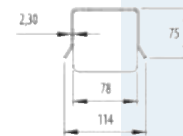
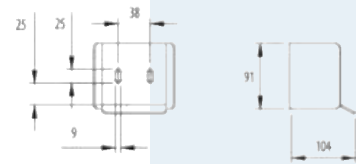
# Cantilever Gate - Medium



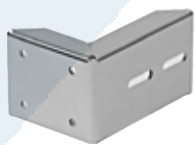
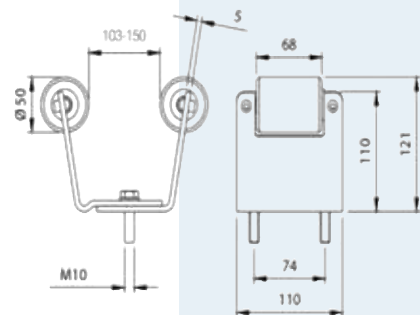
**CGS347P**  
 • Medium channel end wheel.



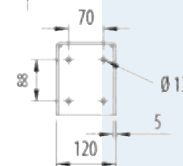
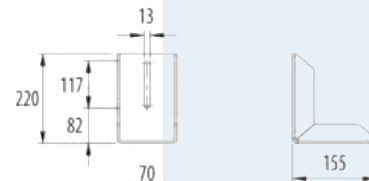
**CGS346P**  
 • Medium end receiving cup.



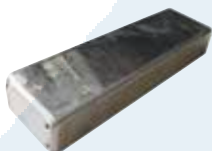
**CG30P**  
 • Medium end catch.



**CG15P**  
 • Medium end cup bracket.



**CGS346PE**  
 • Medium end receiving cup – extended lead in.



**C740**  
 • Galvanised and capped 75 x 40 RHS x 300L for CGS346PE attachment.

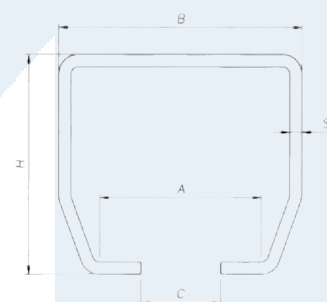
# Cantilever Gate - Large



### CGS345G

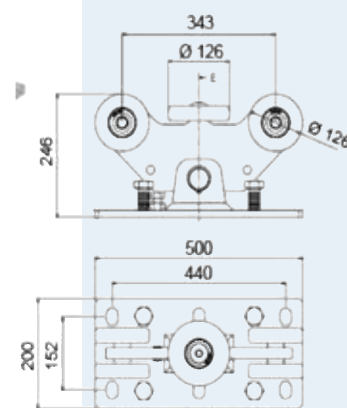
- Large cantilever channel – 6m.  
Size - 140 W x 140 H x 6mm thick.

TECHNICAL SPECIFICATIONS				
A	B	C	H	S
48	68	23	68	3.5



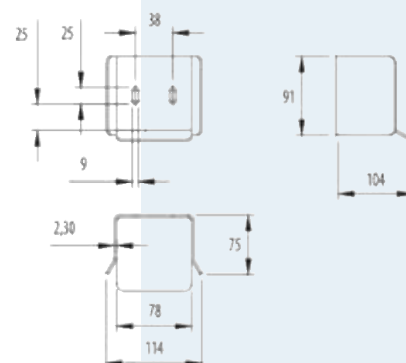
### CGS350G

- Large cantilever trolley – 5 Wheel.



### CGS350.8G

- Large cantilever trolley – 8 Wheel.



### CGS346G

- Large end receiving cup.



### CGS345JP

- Large channel joining plate - pair

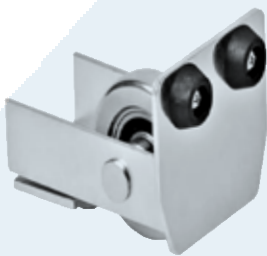


# Cantilever Gate - Large



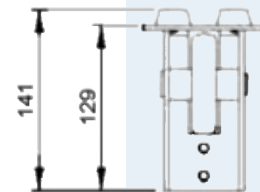
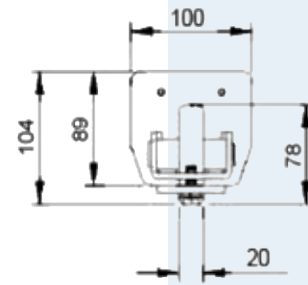
**CGS346GE**

- Large end receiving cup - extended lead in



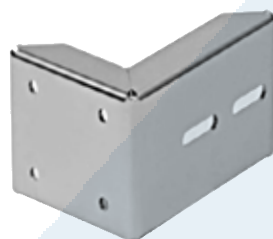
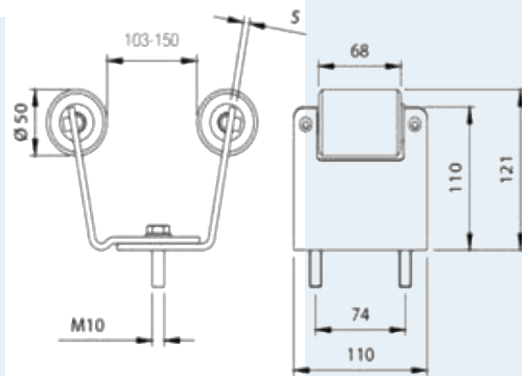
**CGS347G**

- Large channel end wheel.



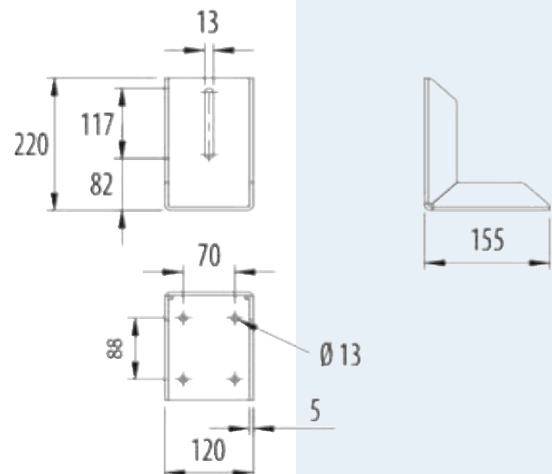
**CG30G**

- Large end catch.



**CG15G**

- Large end cup bracket.



# Cantilever Gate



## EAGLE CANTILEVER SYSTEM

Heavy duty and hot dipped galvanised cantilever trolley. Large slotted adjustment holes, adjustment bolts, stainless steel shafts and circlips with top quality sealed bearings.

### TECHNICAL SPECIFICATIONS

**EAG-266** Trolley to suit CGS345P channel

**Note:** Can be ordered to fit other channels.



## Cantilever Spacer

For packing EAGLE cantilever system trolley.

### TECHNICAL SPECIFICATIONS

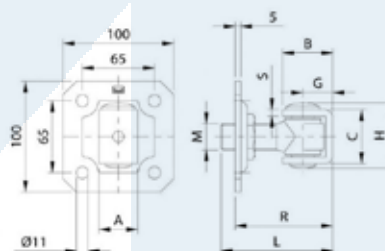
	A	B	C
<b>CS5</b>	180	50	5
<b>CS10</b>			10

# Hinges



## 161-M24

- Hinge with mounting plate.

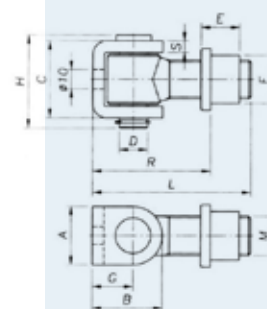


TECHNICAL SPECIFICATIONS						
A	B	D	F	H	I	S
35	45	49	27	59	100	6



## 120-M24

- Hinge with weld in bush.

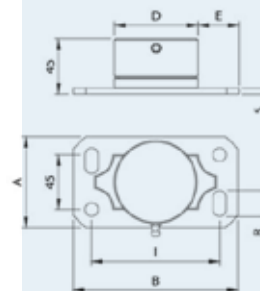


TECHNICAL SPECIFICATIONS											
A	B	C	E	F	G	H	L	M	R	S	
35	42	49	26	29	27	59	100	M24	55-75	6	



## 87PST

- Bottom hinge with thrust bearing and plate.



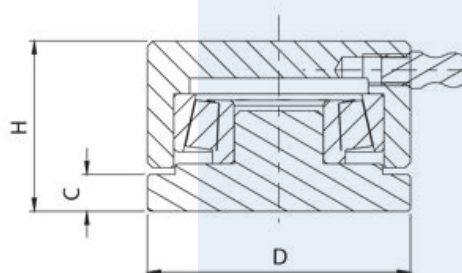
TECHNICAL SPECIFICATIONS							
	A	B	D	E	I	R	KG
<b>87PSTM</b>	75	100	050	22	70	10	230
<b>87PSTG</b>	75	135	070	33.5	105	10	500



## 87

- Bottom hinge with thrust bearing.

TECHNICAL SPECIFICATIONS				
	C	D	H	KG
<b>87M</b>	8	050	32	450
<b>87G</b>	8	070	40	650



## Swing Gate Hinges



### GH80

- Galvanised gate hinge with lock nut. 80mm L with 70mm H hinge pin x 20mm gudgeon. To be used with the HC and CHC carriers and HB boss.



### GH250

- Galvanised gate hinge with double lock nuts and washers 250mm L with 70mm H hinge pin x 20mm gudgeon.



### HC

- Hinge carrier for already erected pillar. Drill hole in pillar and glue or chemset carrier in place. To be used with GH gate hinge to make the hinge adjustable.



### CHC

- Concrete pillar hinge carrier, ready for installation for use with GH gate hinge when block or brick pillars are being built. Makes the hinge adjustable.



### HB

- Heavy duty solid steel hinge carrier 65mm x 38mm wide grease nipple for lubrication. Welds onto the gate.

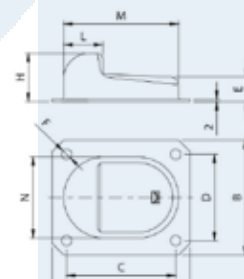
# Centre Stops



## 166P

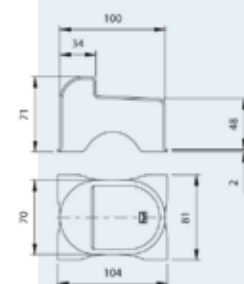
- Galvanised steel aesthetic centre stop or open stop for surface mounting.

TECHNICAL SPECIFICATIONS									
A	B	C	D	E	F	H	L	M	N
120	100	95	75	21	Ø21	42	34	100	70



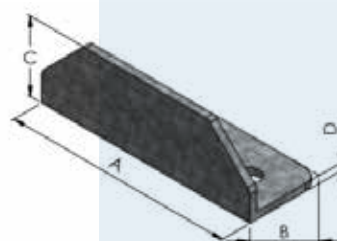
## 169

- Galvanised steel aesthetic centre stop or open stop for embedding into concrete.



## Centre Stop

- Galvanised centre stop, with fixing holes.



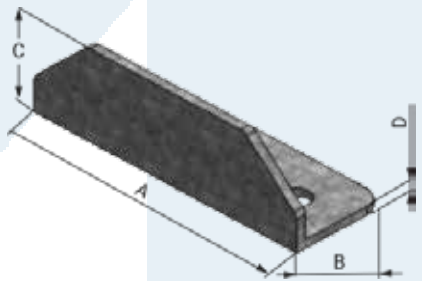
TECHNICAL SPECIFICATIONS					
	A	B	C	D	Ø
<b>CS30</b>	150	30	30	5	Ø14
<b>CS40</b>	150	40	40	5	Ø14
<b>CS50</b>	150	50	50	6	Ø14
<b>CS60</b>	150	60	60	6	Ø14
<b>CS75</b>	150	75	75	10	Ø14

# Centre Stops

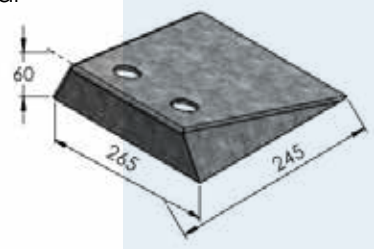


**CS1**  
 • Heavy duty galvanised steel gate stop.

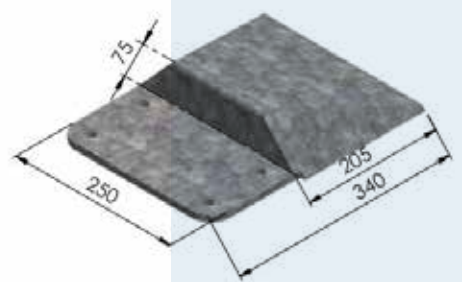
TECHNICAL SPECIFICATIONS			
A	B	C	D
250	100	70	10



**RGCS1**  
 • Heavy duty ramped gate stop to commercial or industrial applications.



**RGCS2**  
 • Heavy duty ramped stop for fitting of electric lock.

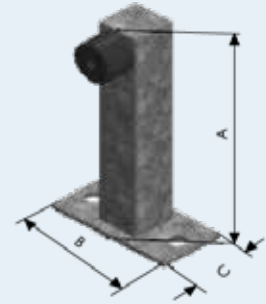


# Open Stops



## Open Stops

- Galvanized stop for swing or sliding gates.



TECHNICAL SPECIFICATIONS					
	A	B	C	D	Ø
<b>OS100</b>	100	120	60	40 x 40RHS	14mm
<b>OS150</b>	150	120	60		
<b>OS200</b>	200	120	60		
<b>OS1M</b>	1000	N/A	N/A		N/A



## SS1

- Galvanized gate stop - 100 x 100 x 10mm angle thick.



## Dome

- Rubber stop 38mm diameter x 25mm high with 7mm hole. Multipurpose and for use with OS range and SS1.

# Bollards

## CB2100

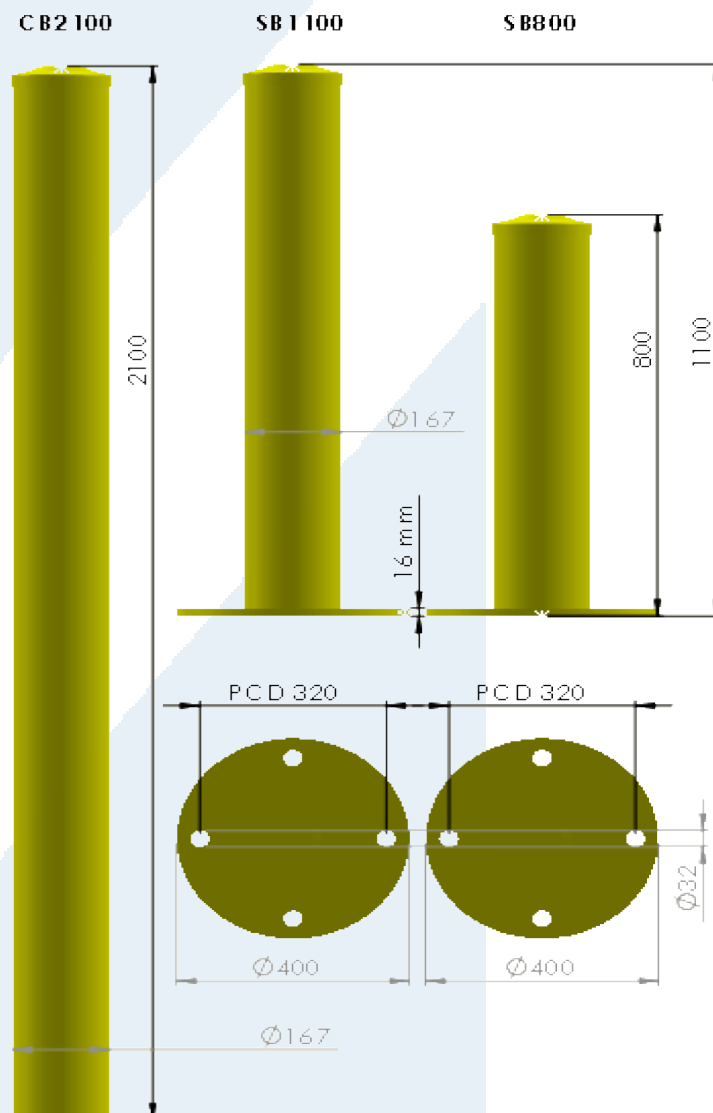
- Galvanised bollard including cap for the protection of your investment. Concrete in Powder Coat Colour - Safety Yellow. Galvanised option is also available.

## SB1100

- Galvanised bollard with cap and mounting base - 1100mm high. Powder Coat Colour - Safety Yellow.

## SB800

- Galvanised bollard with cap and mounting base - 800mm high. Powder Coat Colour - Safety Yellow.



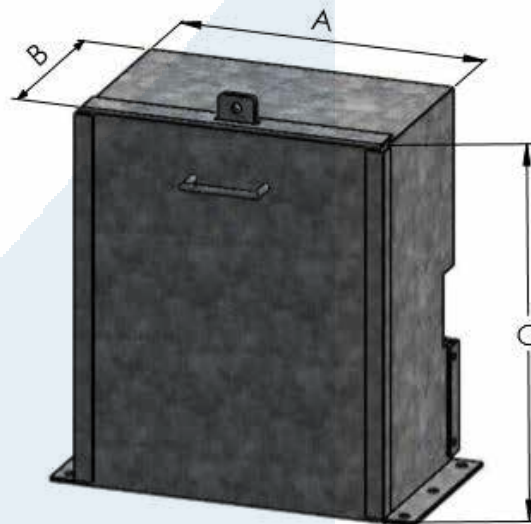


# Operator Covers



- Heavy duty operator cover manufactured for protection of sliding gate operators.

TECHNICAL SPECIFICATIONS			
	A	B	C
<b>SC500</b>	420	320	530
<b>SC600</b>	500	320	610



## Surrounds - ABS & Aluminium



### **RH100**

- ABS exterior surround – 120 L x 85 W.



### **ALI-SS**

- Aluminium surround – 150 L x 115 W – 2mm thick (White or Black P/C finish).



### **ALI-DS**

- Aluminium surround – 350 L x 115 W – 2mm thick (White or Black P/C finish).

# Surrounds - Steel

**GALV-SS**

- Galvanised steel surround – 150 L x 115 W – 3mm thick.

**GALV-DS**

- Galvanised steel surround – 250L x 115 W – 3 mm thick.

**GALV-VHDS**

- Galvanised steel surround – 250 L x 140 W – 6 mm thick.

**GALV-PAN**

- Galvanised steel surround – 260 L x 140 W – 5 mm thick.

**GALV-VLS**

- Galvanised steel surround – 430 L x 280 W – 5 mm thick.

**GALV-SP1**

- Galvanised steel surround with spring loaded base plate – 150 L x 115 W (Surround), 200 L x 100 W x 10 mm thick base plate.

**GALV-SP2**

- Galvanised surround with spring loaded base plate – 230 L x 115 W (Surround), 250 L x 100 W x 10 mm thick base plate.

**BLK-SS**

- Black steel surround – 150 L x 115 W – 3mm thick.

**BLK-DS**

- Black steel surround – 250 L x 115 W – 3mm thick.

**BLK-HDS**

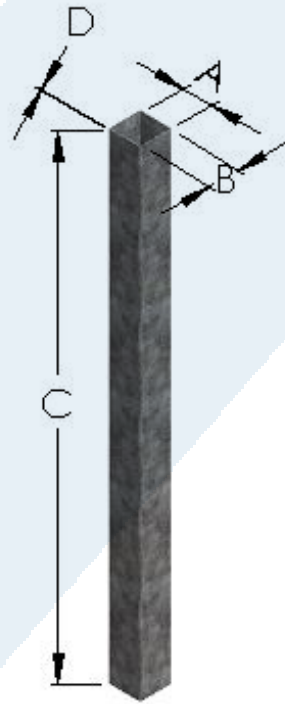
- Black steel surround – 150 L x 140 W – 6mm thick.

**BLK-PAN**

- Black steel surround – 260 L x 140 W – 5mm thick.



# Pillars



Heavy duty galvanised pillars at 3.6 metres in length. Allowing approximately 2.4m above ground level and 1.2m in the concrete footing.

	A (mm)	B (mm)	C (m)	D(mm)
PL100	100	100	3.6	6
PL125	125	125	3.6	6
PL150	150	150	3.6	6

## Access Control Posts



### **SUR1400**

- Hot dipped galvanized card reader pillar - 125 x 75 x 5 RHS at 1.4 metres long with 225 x 180 x 6mm base plate. Pillar includes welded weather resistant surround. Available in 'Safety Yellow' and Galvanised finish.



### **CON1400**

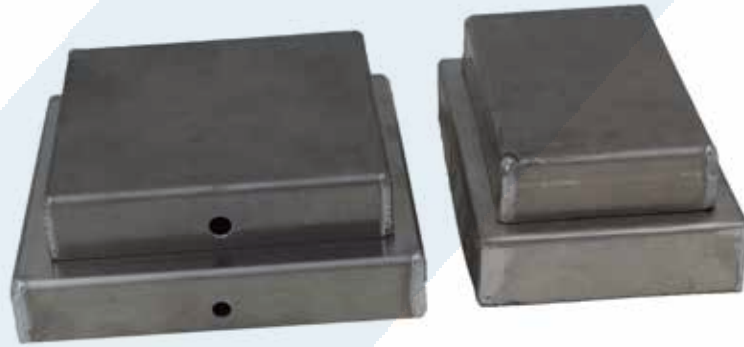
- Hot dipped galvanized card reader pillar - 125 x 75 x 5 RHS at 2.0 metres long (allowing 1400mm above ground and 600mm into concrete footing). Pillar includes welded weather resistant surround. Available in 'Safety Yellow' and Galvanised finish.



### **HDDS**

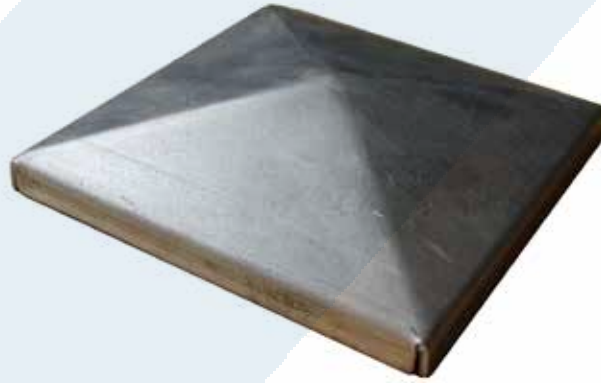
- Double hot dipped galvanized card reader pillar - 125 x 125 x 5 RHS at 2.4 metres long with 300 x 300 x 16mm base plate. Pillar includes two spring loaded protective shrouds for the card readers to be mounted. Powder Coat Colour – Safety Yellow

# Aluminium Caps



	LENGTH	WIDTH
ALI150S	150	150
ALI125S	125	125
ALI100S	100	100
ALI150100	150	100
ALI12575	125	75

# Galv-Pointed Caps



	LENGTH	WIDTH
SP150S	150	150
SP100S	100	100

# Galv-Domed Caps



	LENGTH	WIDTH
SF150S	150	150
SF125S	125	125
SF100S	100	100
SF90S	90	90
SF75S	75	75
SF65S	65	65
SF60S	60	60
SF50S	50	50
SF40S	40	40
SF35S	35	35
SF25S	25	25



# Plastic Caps



	LENGTH	WIDTH	THICKNESS
PF150S	150	150	3-6mm
PF125S	125	125	3-6mm
PF100S	100	100	1.6-4mm
PF90S	90	90	3-5mm
PF1050	100	50	2-4mm
PF75S	75	75	2-4.5mm
PF7550	75	50	2.5-4.5mm
PF65S	65	65	1.6-5mm
PF60S	60	60	1.6-3.5mm
PF5053.0	50	50	1.6-3mm
PF50S5.0	50	50	3-5mm
PF5025	50	25	1.25-3mm
PF40S	40	40	1-3mm
PF25S	25	25	1-3mm

# Galv-Round Caps



	NB	OD (mm)
RC150	150	165
RC125	125	140
RC100	100	114
RC90	90	102
RC80	80	89
RC65	65	76
RC50	50	60
RC40	40	48
RC32	32	42
RC25	25	34
RC20	20	27

# Universal Column Spares



## UNI-FRONT

- Universal column front gate trolley.



## UNI-BACKV2

- Universal column back trolley.



## UNI-150X100

- Urethane roller to suit rear universal column trolley – Ø100 x 150 (including bearings).



## UNI-40X100

- Urethane roller to suit rear universal column trolley – Ø100 x 40 (including bearings).



## UNI-40X60

- Urethane roller to suit rear universal column trolley – Ø60 x 40 (including bearings).



# ADG HOME TO THE BIGGEST CANTILEVER GATE



**MADE  
IN NZ**

## Gates complete with:

- Channel (CGS345P)
- Support trolleys (2 - EAG-266)
- End receiving cup (CGS346PE)
- Supporting RHS for cup (C740)
- End wheel (CGS347)
- Receiving Bracket (REC40)
- Top support bracket (ATP1)
- Fixing bolts and brackets

**18m**

Cantilever Gates

## PORT OF AUCKLAND HOROTIU

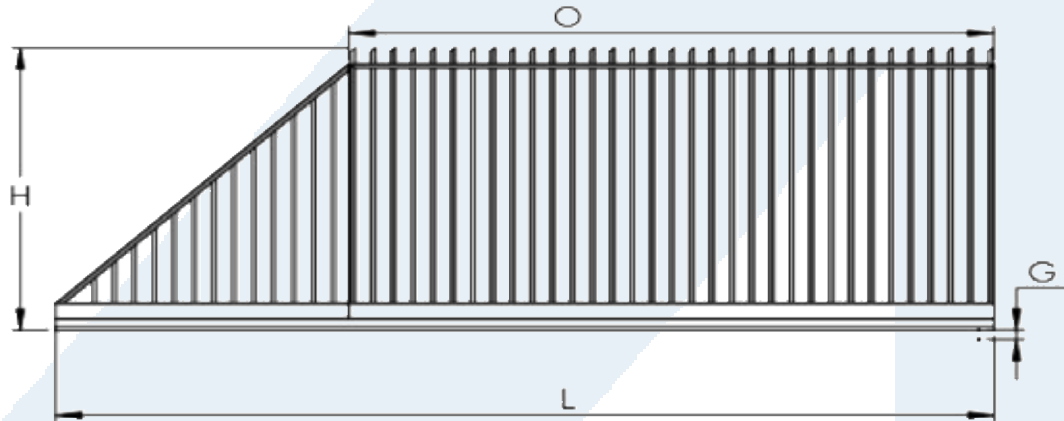


**ADG  
MOST  
POPULAR  
GATE**

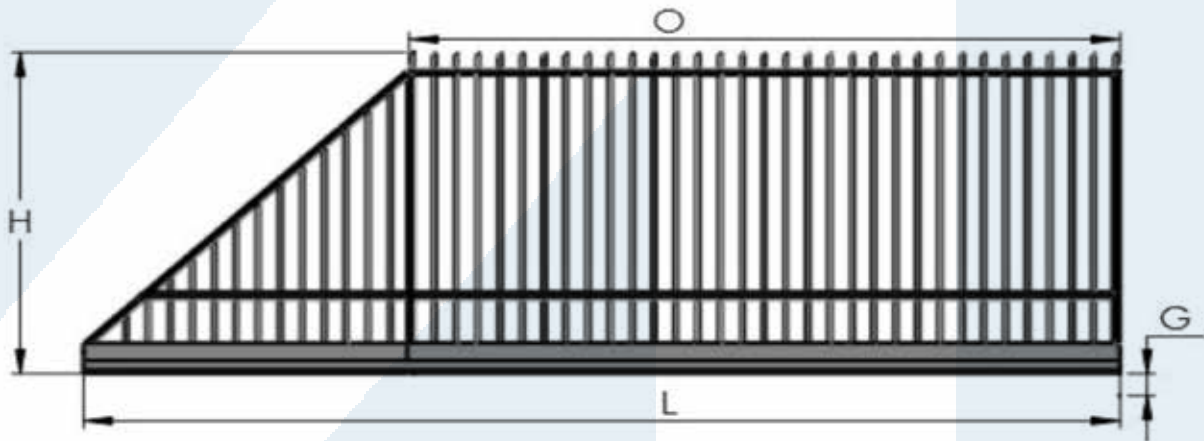


# Gold-line Cantilever Gate

Heavy duty construction gates, hot dipped galvanised. Construction: 125 x 75 RHS bottom rail, 75 x 40 RHS end and top rails. Tubes are 25.4mm x 2mm wall tube uprights spaced every 125mm and cut at 45°



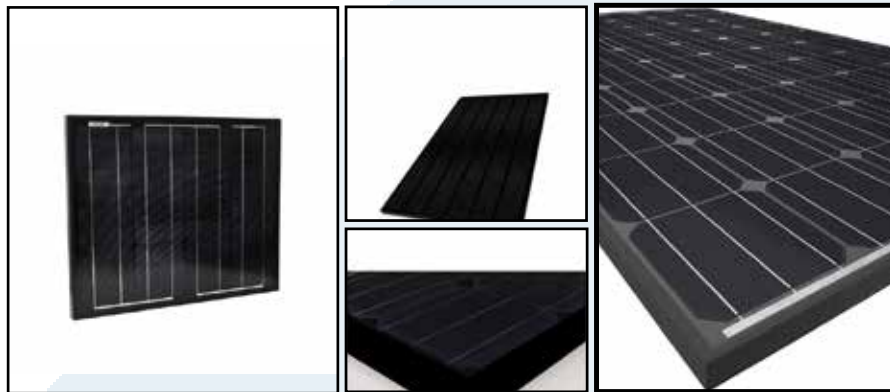
	Total Length (mm)	Opening (mm)	Total Height (mm)	Distance Above ground (min)	Weight (kg)
	L	O	H	G	Approx
<b>GL6M</b>	6000	4000	2300	90	325
<b>GL75M</b>	7500	5000			375



	Total Length (mm)	Opening (mm)	Total Height (mm)	Distance Above ground (min)	Weight (kg)
	L	O	H	G	Approx
<b>GL9M</b>	9000	6000	2300	90	450
<b>GL105M</b>	10500	7000			525
<b>GL12M</b>	12000	8000			600
<b>GL15M</b>	15000	10000			1000



# Monocrystalline Solar Panel - A Grade



80% Output



90% Output



Manufacturers

	SP10W-12	SP15W-12	SP20W-12	SP40W-12	SP50W-12	SP80W-12	SP180W-12
Peak Power	10W	15W	20W	40W	50W	80W	180W
Dimension (L x W X D)	340 x 290 x 25	440 x 290 x 25	430 x 415 x 25	630 x 540 x 30	835 x 545 x 35	1195 x 555 x 35	1585 x 810 x 35
Open Circuit Voltage	21.6V						
Short Circuit Voltage	0.62A	0.92A	1.23A	2.45A	3.06A	4.9A	5.5A
Max Power Voltage	18V						
Max Power Current	0.56A	0.84A	1.12A	2.23A	2.78A	4.45A	5A

	SP20W-24	SP40W-24	SP50W-24	SP80W-24	SP180W-24
Peak Power	20W	40W	50W	80W	180W
Dimension (L x W X D)	460 x 425 x 35	650 x 545 x 35	810 x 510 x 35	1195 x 535 x 35	1585 x 810 x 35
Open Circuit Voltage	43.89V	44.18V	44.12V	44.5V	44.2V
Short Circuit Voltage	0.64A	1.21A	1.56A	2.57A	5.36A
Max Power Current	0.56A	1.10A	1.42A	2.29A	4.97A

# CAME STANDARD SPARE PARTS

SWING CIRCUIT BOARDS	
CODE	NAME
3199ZA3P	<b>ZA3P Circuit Board</b> - For 230V CLOK / KRONO / ATI 230V operators
3199ZL19N	<b>ZL19N Circuit Board</b> - For 24V FROG A24 / FERNI 1024 / ATI 3024/5024 operators
3199ZL180	<b>ZL180 Circuit Board</b> - For 24V ATI 3024N / 5024N operators
3199ZM3E	<b>ZM3E Circuit Board</b> - Multi-functional circuit board for 230V double leaf swing gate operators. ATI 230V / KRONO
3199ZLJ24	<b>ZLJ24 Circuit Board</b> - Multi-functional circuit board for 24V double leaf swing gate operators. AXO 24V / FERNI 4024 / FROG A24E
3199ZL65	
3199LB18	<b>LB18 Battery Back-up Circuit Board</b> - For ZL19(N) control board
002LB180	<b>LB180 Battery Back-up Circuit Board</b> - For ZLJ24 control board (batteries not included)

SLIDING GATE CIRCUIT BOARDS	
CODE	NAME
3199ZBY15	<b>ZBY15 Circuit Board</b> - Main circuit board for BY1500 operator
3199ZBX74	<b>ZBX74 Circuit Board</b> - Main circuit board for BXA, BX-74 operator
3199ZN1	<b>ZN1 Circuit Board</b> - Main circuit board for BZ1 operator
3199ZBXE241	<b>ZBX241 Circuit Board</b> - Main circuit board for BXE-241 operator
3199ZD2	<b>ZD2 Circuit Board</b> - Main circuit board for BX-246 operator
3199ZBKN	<b>ZBKN Circuit Board</b> - Main circuit board for BKS18 and BK1800
3199ZBK	<b>ZBK Circuit Board</b> - Main circuit board for BK1800 operator
3199ZT6	<b>ZT6 Circuit Board</b> - Main circuit board for BK2200T operator
002LBD2	<b>LBD2 Battery Back-up Circuit Board</b> - For ZD2 control board (batteries not included)

ROAD BARRIER CIRCUIT BOARDS	
CODE	NAME
3199ZL37F	<b>ZL37F Circuit Board</b> - For G6000 24V DC road barrier
3199ZL38	<b>ZL38 Circuit Board</b> - For GARD 4 and GARD 8 road barrier
3199ZL37C	<b>ZL27C Circuit Board</b> - For CAT-X24 chain barrier
3199ZL31	<b>ZL31 Circuit Board</b> - For G6000 24V DC (older model)
3199ZC5	<b>ZC5 Circuit Board</b> - For CAT 230V barrier
3199LB35	<b>LB35 Battery Back-up Circuit Board</b> - Card for connecting 2/3 emergency batteries for CAT-X24 and GARD G6000

COMPLETE CONTROL PANELS	
CODE	NAME
ZA3P	<b>ZA3N Control Panel</b> - For 230V CLOK / KRONO / ATI 230V operator
ZL19N	<b>ZL19N Control Panel</b> - For 24V operators FROG A24 / FERNI 1024 / ATI 3024/5024
ZL180	<b>ZL180 Control Panel</b> - For 24V ATI 3024N / 5024N operators
ZM3E	<b>ZM3E Control Panel</b> - Multi-functional control panel for 230V double leaf swing gate operators. AXO 230V, KRONO
ZLJ24	<b>ZLJ24 Control Panel</b> - Multi-functional circuit board for 24V double leaf swing gate operators. AXO 24V / FERNI / FROG - A24E
ZT6	<b>ZT6 Control Panel</b> - For BK2200TA operator

**EMPTY CONTROL PANELS**

CODE	NAME
119RIR315	<b>Empty Control Panel Case</b> - ZA type empty control panel
119RIR156	<b>Empty Control Panel Case</b> - ZL type empty control panel

**TRANSFORMERS**

CODE	NAME
119RIR089	<b>Transformer</b> - For ZK1 and ZA2 circuit board
119RIR090	<b>Transformer</b> - For ZA3, ZA4,ZBX6, ZBX7, ZBX74 and ZC5 circuit board
119RIR101	<b>Transformer</b> - For ZN1 circuit board
119RIR109	<b>Transformer</b> - For ZL19 and ZL19N circuit board
119RIR111	<b>Transformer</b> - For ZL35, ZL37 and ZL37F circuit board
119RIR122	<b>Transformer</b> - For ZBXE-241 and ZD2 circuit board
119RIR127	<b>Transformer</b> - For ZBK circuit board
119RIR144	<b>Transformer</b> - For ZT4 and ZT6 circuit board
119RIR239	<b>Transformer</b> - For ZL38 circuit board
119RIR259	<b>Transformer</b> - For ZL180 circuit board
119RIR306	<b>Transformer</b> - For ZLJ24 circuit board
119RIR309	<b>Transformer</b> - For ZM3E circuit board
3192131	<b>Transformer</b> - For ZL31 circuit board

**CAPACITORS**

CODE	NAME
119RIR288	<b>Capacitor</b> - 6.3uF for H series
119RIR291	<b>Capacitor</b> - 8uF for KRONO
119RIR271	<b>Capacitor</b> - 10uF for CLOK
119RIR275	<b>Capacitor</b> - 16uF for BY1500
119RIR278	<b>Capacitor</b> - 20uF BXA and BY1500
119RIR282	<b>Capacitor</b> - 31.5uF for BK1800

**SAFETY PHOTOCELL SPARES**

CODE	NAME
119RIR082	<b>DOC Photocell Lense</b> - Plastic lense to suit DOC photocell
119RIR015	<b>DOC-I Photocell Board</b> - Receiver board for DOC - I (RX)
119RIR016	<b>DOC-I Photocell Board</b> - Transmitter board for DOC - I (TX)
119RIR017	<b>DOC-E Photocell Board</b> - Receiver board for DOC - E (RX)
119RIR018	<b>DOC-E Photocell Board</b> - Transmitter board for DOC-E (TX)
119RIR377	<b>DELTA-E Photocell Board</b> - Transmitter board for DELTA - E (TX)
119RIR380	<b>DELTA-E Photocell Board</b> - Receiver board for DELTA - E (RX)
119RIR381	<b>DELTA-I Photocell Board</b> - Receiver board for DELTA - I (RX)
119RIR382	<b>DELTA-I Photocell Board</b> - Transmitter board for DELTA - I (TX)



**MISCELLANEOUS SPARES**

CODE	NAME
3199LA2435	<b>S5000 Keypad Bulb</b> - S5000 series keypad bulb
119RM730	<b>S5000 Keypad Membrane</b> - S5000 series
119RL782	<b>S6000 / S7000 Keypad Membrane</b> - S5000 series keypad bulb
119RIBK054	<b>CAME Release Key</b> - Nylon triangle key
119BL776	<b>CAME Release Key</b> - BK Manual release "T"
0051CE	<b>CAME Release Key</b> - 0051CE steel key
119B178	<b>Limit Switch Spring</b> - BK/BY/BX/BZ Limit switch spring
119RIR083	<b>Microswitch</b> - Micro switch with no lever
119RIR084	<b>Microswitch</b> - Micro switch with short lever
119RIR085	<b>Microswitch</b> - Micro switch with long lever
119RIR087	<b>Microswitch</b> - Micro switch with roller lever

## SEA STANDARD SPARE PARTS

**SEA CIRCUIT BOARDS**

CODE	NAME
3199USER1DG24	<b>USER1 DG Circuit Board</b> – To suit 24V sliding or barrier units (MERCURY 24V / SATURN 24V / VERG 24V)
3199USER2DG24	<b>USER 2 DG Circuit Board</b> – To suit 24V swing units ( SURF 24V / FLIPPER 24V / B600)
3199GATE1DG	<b>GATE 1 DG Circuit Board</b> – To suit 230V sliding or swing units (BIG2000F / LEPBOX1000)
3199GATE2DG	<b>GATE 2 DG Circuit Board</b> – To suit 230V sliding or swing units ( FULL TANK / SUPER FULL TANK)
3199SLIDEDG	<b>SLIDE DG Circuit Board</b> – To suit 230V sliding or swing unit of single gate (400E)

**SEA COMPLETE CONTROL PANELS**

CODE	NAME
USER2DG24	<b>USER 2 DG Control Panel</b> – To suit 24V swing units ( SURF 24V / FLIPPER 24V / B600)
GATE2DG	<b>GATE 2 DG Control Panel</b> – To suit 230V sliding or swing units (FULL TANK / SUPER FULL TANK)

**SEA EMPTY CONTROL PANELS**

CODE	NAME
BL	<b>Empty Control Panel Case</b> – 245 L x 185 W x 140 D
BLD	<b>Empty Control Panel Case</b> – 325 L x 245 W x 145 D

**SEA MISCELLANEOUS SPARES**

CODE	NAME
277KEY	<b>SEA Release Key</b> – 277 to suit SEA range
BIGKEY	<b>SEA Release Key</b> – To suit BIG2000 Fast

**SEA CAPACITORS**

CODE	NAME
CAP8.0	<b>Capacitor</b> – 8µf for Mercury 400E
CAP12.5	<b>Capacitor</b> – 12.5µf for Boxer 2000



# ULTRA STANDARD SPARE PARTS

## SWING GATE CIRCUIT BOARDS

CODE	NAME
3199US	<b>Circuit Board</b> - For ULTRA SWING 24V systems

## SLIDING GATE CIRCUIT BOARDS

CODE	NAME
3199UR24	<b>Circuit Board</b> - For ULTRA SLIDE UR24-SL operator
3199UC220	<b>Circuit Board</b> - For ULTRA SLIDE UC220-SL operator
3199UC450	<b>Circuit Board</b> - For ULTRA SLIDE UC450-SL operator
3199UI400	<b>Circuit Board</b> - For ULTRA SLIDE UI400-SL operator

## ROAD BARRIER CIRCUIT BOARDS

CODE	NAME
3199ULB	<b>Circuit Board</b> - For ULTRA LIFT barrier unit

## ULTRA DOOR CIRCUIT BOARDS

CODE	NAME
3199UD27	<b>Circuit Board</b> - For ULTRA DOOR UD2700 door operator
3199UD32	<b>Circuit Board</b> - For ULTRA DOOR UD3200 door operator

## ULTRA ROLL CIRCUIT BOARDS

CODE	NAME
3199UR300	<b>Circuit Board</b> - For ULTRA ROLL UR300 operator

## MISCELLANEOUS SPARES

CODE	NAME
UPRC	<b>Receiver Card</b> - For ULTRA SWING 24V circuit board (plug in)
RXB6	<b>Receiver Card</b> - Solder on ULTRA receiver card
KEY-U300	<b>Release Key</b> - Manual release key for U300 and U500 operators
KEY-U600	<b>Release Key</b> - Manual release key for U600 operators
KEY-UR24	<b>Release Key</b> - Manual release key for UR24-SL operator
KEY-USLIDE	<b>Release Key</b> - Manual release key for UC220-SL, UC450-SL and UI400-SL operator
KEY-ULIFT	<b>Release Key</b> - Manual release key for ULTRA LIFT barriers
BULB-UD	<b>ULTRA DOOR Bulb</b> - 24V/10W bulb for ULTRA DOOR

# MOTOSTAR STANDARD SPARE PARTS

MOTOSTAR CIRCUIT BOARDS	
CODE	NAME
XS100	<b>Circuit Board</b> - For LINESTAR gate operator
XB100	<b>Circuit Board</b> - For STYLSTAR gate operator
XB400	<b>Circuit Board</b> - For MEGASTAR gate operator

## OTHER STANDARD SPARE PARTS

GEL CELL BATTERIES	
CODE	NAME
B13AH	<b>Battery</b> - 1.3Ah, 12 volt gel cell rechargeable battery
B70AH	<b>Battery</b> - 7Ah, 12 volt gel cell rechargeable battery

REMOTE CONTROL BATTERIES	
CODE	NAME
A27	<b>Remote control battery</b> - A27 12V remote control battery
A23	<b>Remote control battery</b> - A23 12V remote control battery
CR2016	<b>Remote control battery</b> - CR2016 3V remote control battery
CR2032	<b>Remote control battery</b> - CR2032 3V remote control battery
9V	<b>Remote control battery</b> - 9V remote control battery









[adg.co.nz](http://adg.co.nz)